

# onyx

## Avanti Electric

LED ELECTRIC FIRE RANGE  
with Thermostatic Remote Control



**Instructions for Use, Installation & Servicing  
For use in AU & NZ (Australia & New Zealand)**

## CONTENTS

### AVANTI - LED Electric Fire Range

Covering the following models:

AVANTI 110RW	AVANTI 150RW	AVANTI 190RW
228-025AZ	228-031AZ	228-044AZ

<b>Welcome Note</b> .....	<b>3</b>
<b>User Instructions</b> .....	<b>4</b>
<b>Installation Instructions</b> .....	<b>13</b>
Technical Specifications .....	14
Pre-Installation.....	16
Installation .....	18
Optional Mood Lighting .....	23
Accessing the Fuel Bed .....	24
Glass Embers.....	24
Log Layout.....	26
Completion of Assembly.....	28
<b>Servicing Instructions</b> .....	<b>29</b>
Servicing Requirements .....	29
Pairing The Remote Control.....	29
Removing the Internal Components.....	30
Spare Parts List.....	28
Wiring Diagram.....	47
Information Requirement For Electric Local Space Heaters....	50
Warranty - Australia.....	51

### WARRANTY

This system carries a 2 years parts-labour warranty. Please note that all warranties are effective from the date of purchase.



Tested to AS/NZS 60335.2.30:2015 & AS/NZS 60335.1:2011  
Certificate Number SAA-211471-EA



# service that goes above and beyond

Congratulations on becoming a new owner of an Onyx stove or fire – welcome to the family.

When you own an Onyx product, you can expect the very best in British stove and fire design and engineering, bringing exceptional heating performance to your home along with character and individuality.

We take great care to ensure that our stoves are designed, tested and manufactured to the highest possible quality standards, and pride ourselves on offering the same exemplary after-sales service that goes above and beyond, assuring you years of enjoyment from your Onyx purchase.



## IMPORTANT

**PARTS OF THE OUTER CASING OF THIS APPLIANCE ARE CONSIDERED BY THE MANUFACTURER TO BE A WORKING SURFACE WHICH BECOMES HOT WHEN THE HEATER IS SWITCHED ON. IT IS THEREFORE RECOMMENDED THAT A FIREGUARD COMPLYING WITH BS 8423 (LATEST EDITION) IS USED IN THE PRESENCE OF YOUNG CHILDREN, THE ELDERLY OR INFIRM. THE HEATER OUTLET GRILLE BECOMES VERY HOT WHILST IN OPERATION. DO NOT COVER THE OUTLET GRILLE OR ANY PART OF THE APPLIANCE.**

For use with 230V 50Hz electricity supply only.

Please read these instructions carefully before installation and keep them in a safe place.

They will be needed when maintenance or servicing is required.

**THIS APPLIANCE MUST BE EARTHED**

**THIS PRODUCT IS ONLY SUITABLE FOR WELL INSULATED SPACES AND OCCASIONAL USE.**

## IMPORTANT INFORMATION AND HEALTH AND SAFETY

**Read all of the instructions carefully before using the appliance.**

**Remove all packaging and dispose of at an appropriate recycling facility.**

Do not locate this appliance immediately below a fixed socket outlet.

Parts of the outer casing of this appliance are considered by the manufacturer to be a working surface which becomes hot when the heater is switched on. You must use a suitable fire guard to protect children, the elderly and the infirm.

Do not use this appliance in the immediate surroundings of a bath, shower, swimming pool or any other area where the appliance could come into contact with water or humidity, e.g. a bathroom.



### **WARNING! DO NOT COVER**

Do not allow the appliance to be covered or let the air inlet/outlet become obstructed as the appliance may overheat. Please note the warning symbol on the appliance (see above).

**For indoor use only.** This appliance is not suitable for use outside the house.

This appliance must be installed in a purpose built studwork enclosure. Ensure the appliance is level and that furniture, curtains etc. are positioned no closer than 1m.

Where the electricity supply cable has to pass through a fire place, stone surround etc. ensure suitable rubber bushes are fitted at possible wear points.

If installed in an open fireplace, blank off the chimney to reduce the risk of a back draught which can cause the safety cut-out to operate.

Keep the power cord away from hot surfaces and hot conditions. Do not route the power lead in front of the appliance.

When the fire has been installed the position of the plug must be accessible.

If the electricity supply cable is damaged do not use the appliance until it has been replaced. For safety reasons the replacement has to be carried out by a Onyx service agent or a suitably qualified person.

**CAUTION:** In order to avoid a hazard due to inadvertent resetting of the thermal cut-out, this appliance must not be supplied through an external switching device, such as a timer, or connected to a circuit that is regularly switched on and off by the utility.

Do not operate the appliance if it is damaged.

Repairs of electrical appliances must only be performed by a suitably qualified person. Should the appliance fail to operate, or in case of any damage, please contact the retailer from whom the appliance was purchased.

This appliance can be used by children aged from 8 years and above and persons with reduced physical, sensory or mental capabilities or lack of experience and knowledge if they have been given supervision or instruction concerning use of the appliance in a safe way and understand the hazards involved. Children shall not play with the appliance. Cleaning and user maintenance shall not be made by children without supervision.

Children of less than 3 years should be kept away unless continuously supervised.

Children aged from 3 years and less than 8 years shall only switch on/off the appliance provided that it has been placed or installed in its intended normal operating position and they have been given supervision or instruction concerning use of the appliance in a safe way and understand the hazards involved. Children aged from 3 years and less than 8 years shall not plug in, regulate and clean the appliance or perform maintenance.

**Caution: Some parts of this product can become very hot and cause burns. Particular attention has to be given where children and vulnerable people are present.**

**However Onyx recommend:**

**This appliance is not intended to be used by persons under the age of 12, persons with reduced physical, sensory or mental capabilities or persons with lack of experience and knowledge in the safe operation of the appliance.**

The appliance may be operated by persons above the age of 12 provided they have been instructed in the safe use of the appliance and that they understand the hazards involved. Persons above the age of 12 may also operate the appliance under the supervision of a responsible adult.

Parts of this appliance become hot whilst in operation and under no circumstances should persons under the age of 12 be left alone with the product when it is in operation unless a suitable fireguard is used to protect them against the possibility of coming into direct contact with the appliance.

Children shall not play with the appliance.

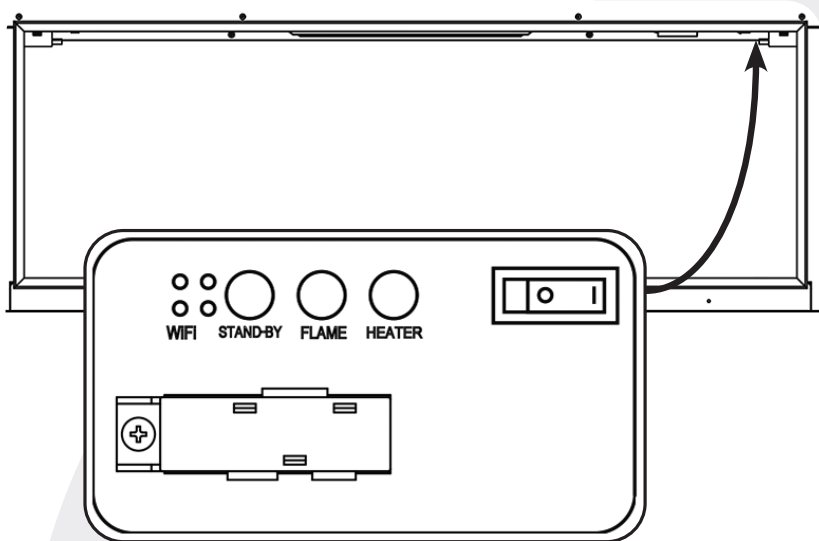
Cleaning and user maintenance shall not be made by children without supervision.

## OPERATING INSTRUCTIONS

**WARNING!** Do not operate the appliance if it is damaged or has malfunctioned. If you suspect the appliance is damaged or has malfunctioned call a suitably qualified person to inspect the appliance, and replace any part of the electrical system if necessary, before reuse.






Do not disconnect the power at the mains supply whilst the appliance is running. Use the functions on the remote to turn the fire off and ensure the mains switch has been moved to the off position before disconnecting.

### MANUAL CONTROL PANEL

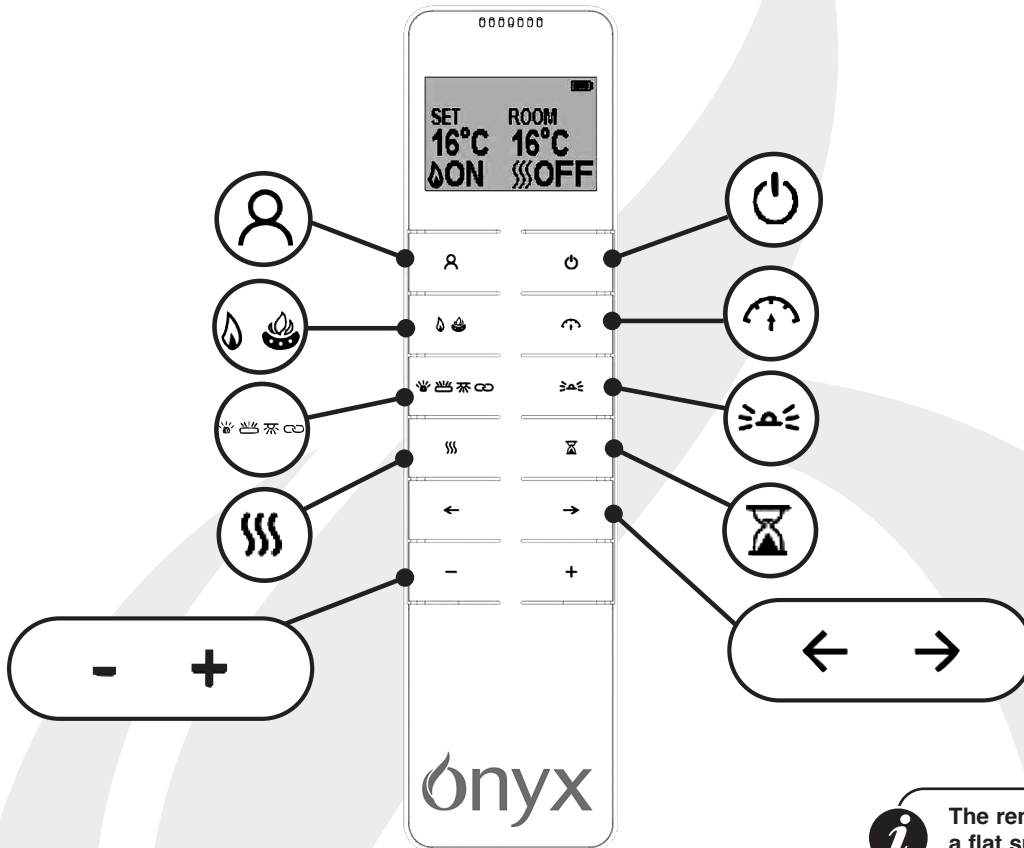


**NOTE:** To use both remote and manual functions the manual on/off switch must be in 'ON' position. To prevent the product overheating, there is a 10s delay when turning on and off the heater fan.

The manual button controls basic functions. Use the remote hand set to carry out all functions.

BUTTON	FUNCTION	ACTION
 OFF      ON	<b>ON:</b> Turns on the standby mode. Enables all of the functions and remote control.  <b>OFF:</b> Turns off all of the fireplace functions, and disables remote control.	Turn the main power switch on. A long "beep" will be heard when the switch is turned at ON Position.
 STAND-BY ON/OFF	Press to turn on the flame or turn off the fire.	
 FLAME	Cycles through 9 levels of flame settings, and this corresponds to the setting of MY FLAME on remote and APP.  Keep pressing for 3 seconds to turn off the "beep" sound for buttons and remote control.	Cycle through 9 levels of flame settings and flame off.
 HEATER	Press to cycle from AUT-LOW-HIGH-OFF.	The heater will be cycled from Auto – Low – High – Heater Off. The indicator light will illuminate when the heater is turned on. The indicator light will go out within 10s.
 WIFI WIFI	Press to connect or disconnect the network.	The indicator light will illuminate when the WIFI is turned on.

## REMOTE CONTROL

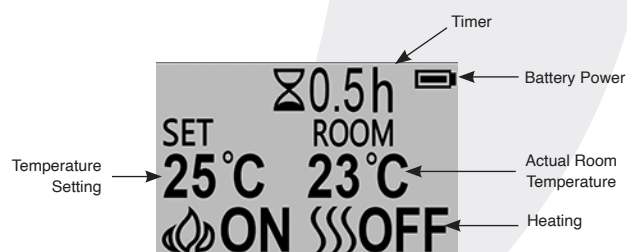
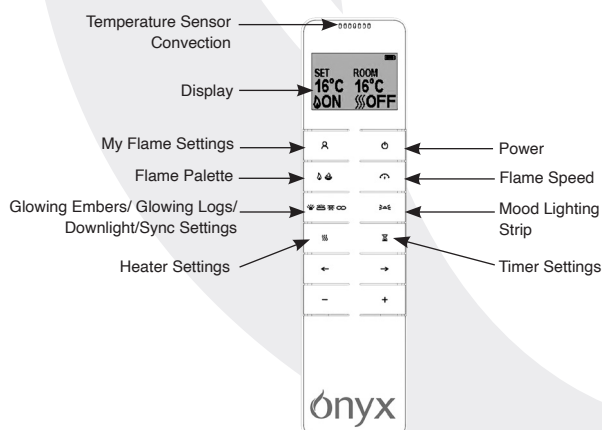


The remote control should be left on a flat surface in the room where the appliance is installed and away from any direct flow of hot air.

BUTTON	FUNCTION	ACTION
	<b>STAND-BY ON/OFF</b>	The <b>POWER</b> button will turn the fireplace on, and enter standby mode. This will turn on/off all the functions at once but will hold the settings in memory.
	<b>MY FLAME</b>	Press the <b>MY FLAME</b> button followed by '+' and '-' or '←' and '→', the unit will cycle through 9 flame settings. Flames 1-6 are default settings, 7-9 can be saved as custom settings.
	<b>MAIN FLAME/ FLAME PALETTE</b>	Press the <b>MAIN FLAME</b> button to enter the main flame effect adjustment screen, press '←' and '→' button to cycle through Red - Ember - Yellow - Green - Cyan - Blue - Purple - White - 8 Colour Cycling - Off. Press '+' and '-' button to adjust the brightness from 10 -100%, total six settings including Off. Press again to enter the <b>FLAME PALETTE</b> adjustment screen. Press '←' and '→' button to cycle through Red - Ember - Yellow - Green - Cyan - Blue - Purple - White - 8 Colour Cycling - Off. Press '+' and '-' button to adjust the brightness from 10 -100%, total six settings including Off.
	<b>FLAME SPEED</b>	Press the button to enter the <b>FLAME SPEED</b> settings. Press '+' and '-' button to adjust the speed by five settings.

BUTTON	FUNCTION	ACTION
	<b>GLOWING EMBERS/ GLOWING LOGS/ DOWN LIGHT/ SYNC</b>	<p>Press the button to enter the <b>GLOWING EMBERS</b> settings, press '←' and '→' button to cycle through Red - Ember - Yellow - Green - Cyan - Blue - Purple - White - 8 Colour Cycling - Off. Press '+' and '-' button to adjust the brightness from 10-100%, total six settings including Off.</p> <p>Press again to enter the <b>GLOWING LOGS</b> adjustment screen. Press '←' and '→' button to cycle through Red - Ember - Yellow - Green - Cyan - Blue - Pink - White - 12 Colour Cycling - Red/Ember/Yellow - Yellow/Pink/Ember - Cyan/Blue/Pink - Off. Press '+' and '-' button to adjust the brightness from 10-100%, total six settings including Off.</p> <p>Press again to enter the <b>DOWN LIGHT</b> adjustment screen. Press '←' and '→' button to cycle through Red - Ember - Yellow - Green - Cyan - Blue - Purple - White - 8 Colour Cycling - Off. Press '+' and '-' button to adjust the brightness from 10-100%, total six settings including off.</p> <p>Press the button the fourth time to enter the <b>SYNC</b>, the colours of flame palette, fuel bed, log burning and down light could be synced. Press '←' and '→' button to cycle through Red - Ember - Yellow - Green - Cyan - Blue - Purple - White - 8 Colour Cycling - Off. Press '+' and '-' button to adjust the brightness from 10-100%, total six settings including off.</p>
	<b>AMBIENT LIGHT</b>	<p>Press the button to enter the <b>AMBIENT LIGHT</b> settings, and the setting will cycle through Cold White - White - Warm White - Light Ember - Ember - Yellow - Gold Yellow - Red - Green - Cyan - Blue - Light Purple - Purple -13 Colour Cycling and Off. Press '+' and '-' button to adjust the brightness from 10-100%, total six settings including Off.</p>
	<b>HEATING</b>	<p>Press the <b>HEATING</b> button, and the heater will cycle the heat setting: AUT - LOW - HIGH - OFF. The AUTO heating will work after the weekly timer has been set in the MyFlame App.</p>
	<b>TIMER</b>	<p>Press the <b>TIMER</b> button to set the desired time for the fireplace to run. The Timer can be set 0.5H, 1.0H, and then each hour up to 10.0H.</p>
	-	<p>Press the '←' and '→' button to choose different settings such as the colour settings of the corresponding function.</p>
	-	<p>Press the '+' and '-' button to increase or decrease the settings such as the light setting.</p>

## OPERATING THE APPLIANCE - ADVANCED OPERATION



### TURN ON/OFF

Press button to turn on the flame effect.

Press button to turn off all the functions under the manual heating control mode.

Press button to turn off the flame effect under AUTO heating mode.

## WEEK DAYS/ TIME/ TEMPERATURE AND UNIT SETTING

These settings can be set and control through the MyFlame app function.

## ADJUSTING THE SET TEMPERATURE

Press the '+' or '-' button to increase or decrease the temperature.

## ADAPTIVE START CONTROL

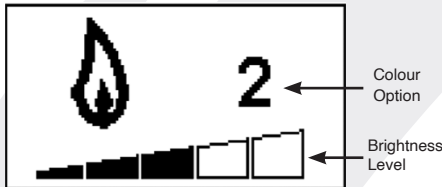
The heater will automatically determine the appropriate time to heat to ensure that it will reach the set-pointed temperature at the set time (up to 45 minutes prior to the set time).

## MAIN FLAME COLOUR ADJUSTMENT

Press 🔥 🔥 button until 🔥 appears.

There are 10 flame colour options including OFF.

There are 6 levels of brightness, including OFF.



Press the '<' or '>' button to cycle through the flame colour options.

Press the '+' button to increase the flame brightness.

Press the '-' button to decrease the flame brightness until off.

## FLAME BLEND COLOUR ADJUSTMENT

Press 🔥 🔥 button until 🔥 appears.

There are 10 flame colour options including OFF.

There are 6 levels of brightness, including OFF.



Press the '<' or '>' button to cycle through the flame colour options.

Press the '+' button to increase the flame brightness.

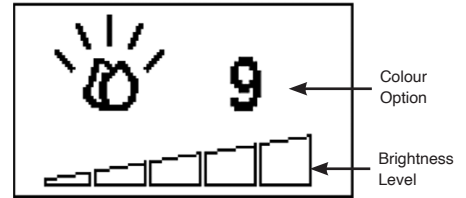
Press the '-' button to decrease the flame brightness until off.

## GLOWING EMBERS ADJUSTMENT

Press 🔥 🔥 🔥 🔥 button until 🔥 appears.

There are 10 flame colour options including OFF.

There are 6 levels of brightness, including OFF.



Press the '<' or '>' button to cycle through the fuel bed colour options.

Press the '+' button to increase the fuel bed brightness.

Press the '-' button to decrease the fuel bed brightness until off.

## GLOWING LOGS ADJUSTMENT

Press 🔥 🔥 🔥 🔥 button until 🔥 appears.

There are 13 flame colour options including OFF.

There are 6 levels of brightness, including OFF.



Press the '<' or '>' button to cycle through the fuel bed colour options.

Press the '+' button to increase the fuel bed brightness.

Press the '-' button to decrease the fuel bed brightness until off.

## DOWNLIGHT ADJUSTMENT

Press 🔥 🔥 🔥 🔥 button until 🔥 appears.

There are 10 flame colour options including OFF.

There are 6 levels of brightness, including OFF.



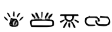

Press the '<' or '>' button to cycle through the fuel bed colour options.

Press the '+' button to increase the fuel bed brightness.

Press the '-' button to decrease the fuel bed brightness until off.

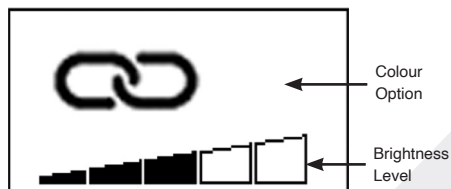


## COLOUR SYNC OPTION

Press  button until  appears.  
This function links all the colours together.

There are 10 flame colour options including OFF.

There are 6 levels of brightness, including OFF.



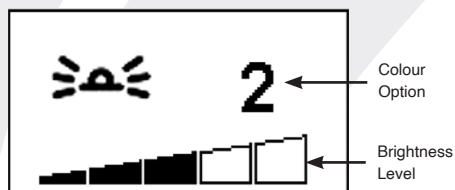
Press the '←' or '→' button to cycle through the colour options.

## AMBIENT MOOD LIGHTING ADJUSTMENT

Press  button.

There are 14 flame colour options including OFF.

There are 6 levels of brightness, including OFF.



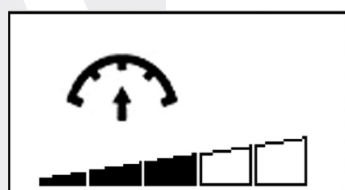
Press the '←' or '→' button to cycle through the fuel bed colour options.

Press the '+' button to increase the fuel bed brightness.

Press the '-' button to decrease the fuel bed brightness until off.

## FLAME SPEED ADJUSTMENT

Press  button.



Press the '+' button to increase the flame speed.

Press the '-' button to decrease the flame speed.

## MY FLAME COLOUR PRESETS

Press  button and the Preset Number will appear.



There are 9 flame colour presets.  
Press the '+' or '-' button or '←' or '→' to change the Preset.

1-3 are realistic flame combinations.

4-6 are vivid colour palette combinations.

7 is all red.

8 is all green

9 is all blue.

7-9 have been created for custom flame combinations.



To create a custom flame effect:

Change the colour and density of Main Flame/ Flame Palette/ Ember bed/Logs/Downlight and Speed (Not Ambient Mood LED strip).


To confirm the settings press My Flame button for at least 3 seconds. The remote gives the choice to save it to 7, 8 or 9.

Select number (+ or - / '←' or '→') and press My Flame button again.

The product saves the personal setting.

## COUNT DOWN TIMER



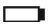
This setting is only in normal heating control mode. It allows the appliance to be returned to Standby after a set period of time. The heater must be switched on to use this function.

Press  to cycle through the setting from Off and 0.5 hours to 10 hours. Timer logo and remaining time will show on the screen.

## OPERATING THE APPLIANCE - TROUBLESHOOTING

### BATTERY

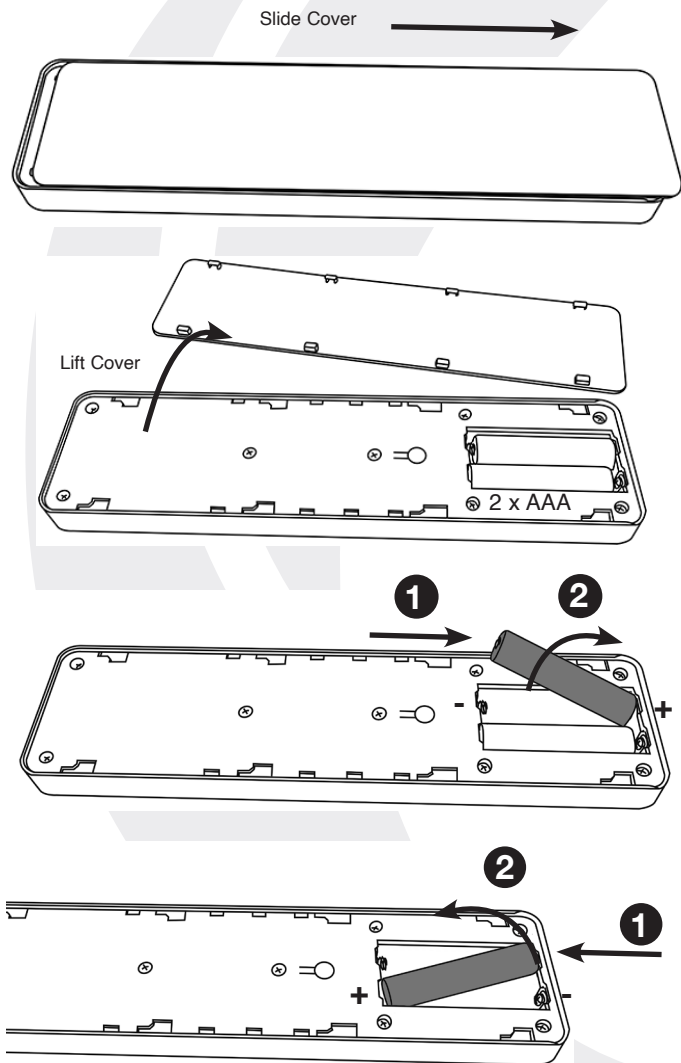
The battery power level is indicated at the top right of the remote control screen.

	Battery Full	No action required
	Battery Half Power	Ensure new batteries are available.
	Battery Empty	Replace batteries immediately

**i** **NOTE:** The remote control has a Battery Status indicator (top right corner), after an extended period of displaying empty the LED screen will cease to function despite the handset still being able to send commands. Replace the batteries to restore display.

### BATTERY REPLACEMENT

Exhausted batteries are to be removed from the appliance and safely disposed of.



Ensure that the handset batteries are new and inserted correctly.

Dispose of old batteries at an appropriate recycling facility.

Battery replacement is recommended after 1 year. The Remote requires two 1.5V alkaline AAA batteries.

Ensure the correct polarity. Do not short circuit the terminals.

Do not attempt to recharge non-rechargeable batteries.

Remove rechargeable batteries before charging.

Do not mix old and new batteries.

Remove batteries if the appliance is not used for long periods.

**i** **NOTE:** To use both remote and manual functions the manual on/off switch must be in 'ON' position. In order to prevent the product becoming too hot, there is 10s delay when turning on the heater and a 10s delay when turning off the heater fan.

The manual button controls basic functions, not a full range of controls. Use the remote hand set to carry out all functions.

### HEATER RUNNING INDICATORS

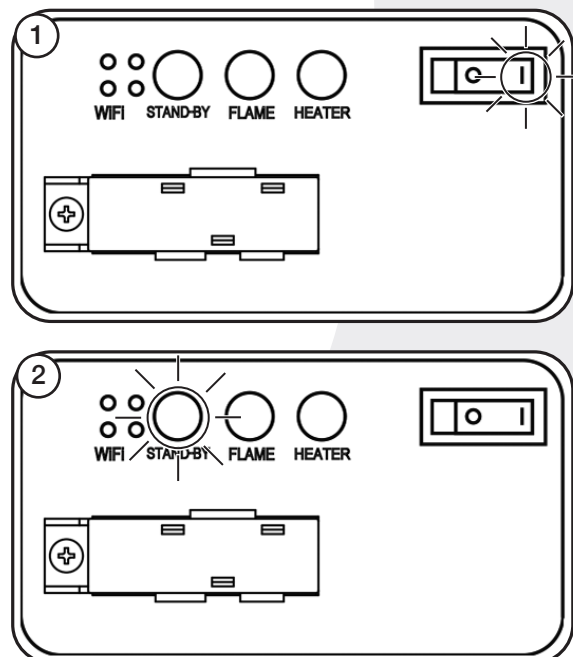
When the fan heater is used in conjunction with the flame or fuel bed effects the heater running indicators will light up for 10 seconds.

The LEDs will illuminate for 10 seconds if the flame or fuel bed effect is On.

If the fan heater is used independently, the heater running indicators will stay on.

**IMPORTANT:** If the handset loses signal or needs to be replaced, see Servicing Instructions for details.

### RESET BUTTON FOR REMOTE CONTROL

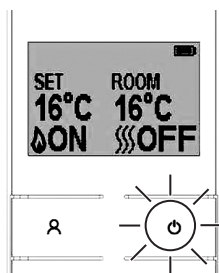


3 seconds



2 Beeps

3



1 Beep

**IMPORTANT:** If the handset loses signal or needs to be replaced, see Servicing Instructions for details.

## SIGNAL CODE

The handheld transmitter is configured in the factory with a unique signal code.

**IMPORTANT:** If the handset loses signal or needs to be replaced, see Servicing Instructions for details.

## MAINTENANCE

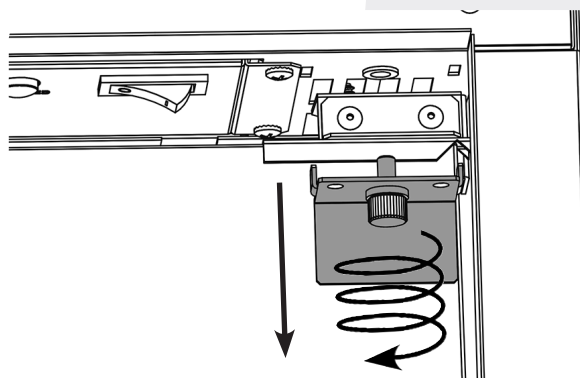
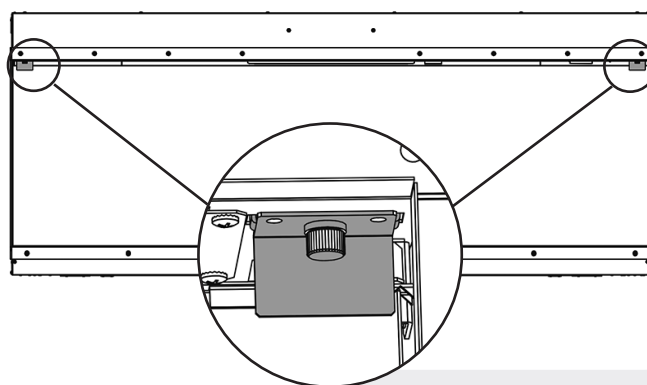
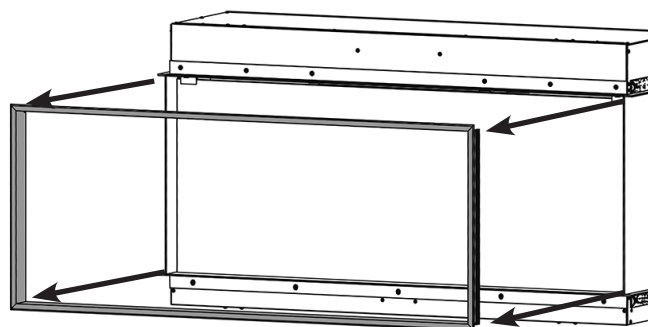
**ENSURE THE APPLIANCE IS TURNED OFF BEFORE CLEANING.**

### GLASS CLEANING

Wipe the glass viewing panel with a damp cloth and buff with a lint free duster.

**Caution:** Do not use abrasive cleaners on the glass panel. Do not spray liquids directly onto any surface of the unit.

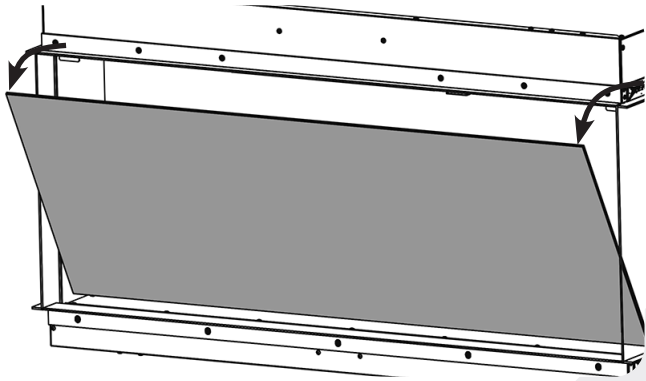
### CLEANING THE FUEL EFFECT





### Servicing and Support

To keep your appliance looking and performing at its best, it must be serviced annually. This service must be undertaken by a suitably qualified individual and your retailer can organise this for you.



Remove and wash the fuel effect to remove any dust particles. Alternatively clean with a lint free duster.

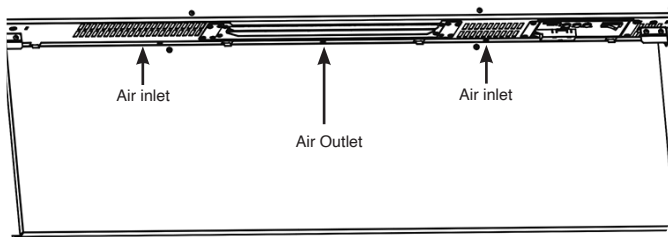
**Ensure that the effect is dry before replacing.**

**Replace the fuel effect see Installation Instructions for layout.**

Replace in reverse order.

### CLEANING AIR INLETS

Clean the air inlet and outlet grilles regularly with a soft cloth or the nozzle of a vacuum cleaner.



**Dust build-up can inhibit efficient performance of the fan and lead to the safety cut-out operating.**

Keep the area around the appliance clean and free of fluff, dust or pet hair.

In particular, build-up of dust etc. can occur around the heater area. Take particular care to keep this area free from such particles on a regular basis to prevent build-up.

## INSTALLATION

### GENERAL

#### TOOLS REQUIRED

A Screwdriver, Spirit Level, Saw and Drill will be needed.

#### UNPACKING THE FIREPLACE

**WARNING! DO NOT use this appliance if any part has been exposed to water.**

Immediately call a suitably qualified person to inspect and to replace any part of the electrical system if necessary.

Open the packaging carefully and remove the polystyrene. Remove and discard the plastic bag. Keep plastic wrapping away from children. Be responsible when handling the packing materials.

Check all parts and accessories are removed before disposing of any packaging. If necessary keep the original packaging for future transport and/or storage.

**Test the appliance before installation.**

### FITTING THE APPLIANCE

#### LOCATING THE AVANTI

Your new Avanti may be installed virtually anywhere in your home. However, when choosing a location ensure that the general instructions are followed.

For best results, install out of direct sunlight.

**The heater should ideally be fitted into/onto an internal flat wall constructed from either studwork and plasterboard block/brick. The fixings provided are for use on brick walls ONLY. Please ensure that suitable fixings are used when securing to any hollow or purpose built cavity.**

**NOTE: This appliance is not suitable for fitting to a Cavity Wall, backing on to an outside wall, an open chimney or any opening that may be subject to damp and draft, unless adequate precautions are taken to avoid the appliance coming into contact with moisture or excessive drafts. In such installations, any existing chimney and/or purpose provided air vents should be fully sealed.**

**Make sure there are no pipes or cables behind the area to be drilled or cut.**

Always ensure the appliance is adequately supported and sits on a firm structure when mounting above floor level.

The appliance should ideally be located close to a suitable mains socket to enable connection. An extension could be run from an existing socket outlet but this must be carried out by a suitably qualified electrical engineer.

The electrical socket must be easily accessible to allow disconnection when the appliance is fitted.

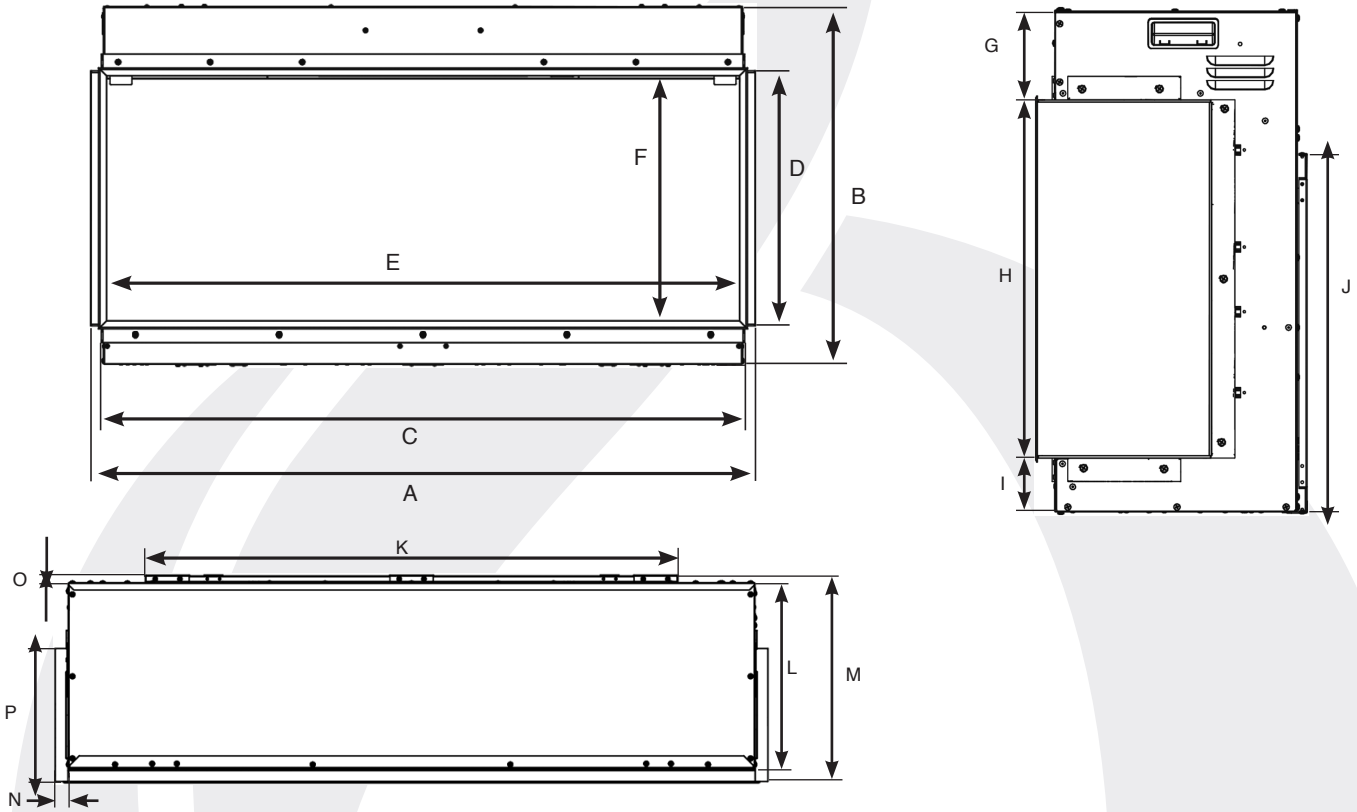
If the power cord is damaged, it must be repaired by the manufacturer, its authorised service centre or professional person.

Ensure that curtains and furniture are not positioned close to the chosen position, as this would create a potential fire hazard or block the heater outlet ducts.

**WARNING! KEEP ALL COMBUSTIBLE MATERIALS AT LEAST 1M FROM THE FRONT OF THE ELECTRIC FIREPLACE.**

## TECHNICAL SPECIFICATION

AVANTI 110RW	AVANTI 150RW	AVANTI 190RW
228-025AZ	228-031AZ	228-044AZ



MODEL	A	B	C	D	E	F	G	H	I	J	K	L	M	N	O	P
<b>Avanti 110RW</b>	1154	628	1118	443	1100	425	111	442	66.5	445	862	300	336	22	12	215
<b>Avanti 150RW</b>	1554	628	1518	443	1500	425	111	442	66.5	445	1284	300	336	22	12	215
<b>Avanti 190RW</b>	2004	628	1968	443	1950	425	111	442	66.5	445	1764	300	336	22	12	215

## TECHNICAL SPECIFICATION

### CONTROL SYSTEM TECHNICAL DATA

	MAIN CONTROL BOARD	REMOTE RECEIVER BOARD	REMOTE CONTROL
Hardware	RC01-059 A00 V0.	WR3 V1.0	RF290H V1.1
Software	RC01-059 A01 V0.	-	RCS19-V01.06
Frequency	FSK 433. 92MHz	2.4GHz	FSK 433. 92MHz
Maximum Transmit Power	10mW	100mW	10mW

A 220-240VAC 50Hz 10A supply is required

**This product must be earthed.**

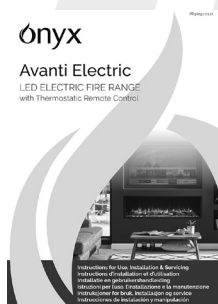
Maximum power consumption:

Avanti 110RW	1830 - 2000 Watts
Avanti 150RW	1830 - 2000 Watts
Avanti 190RW	1830 - 2000 Watts

A 1.8 metre lead is supplied.

2 x Remote control handset battery (AAA).

## PACKING CHECKLIST



x1



110RW x3  
150RW x4  
190RW x5



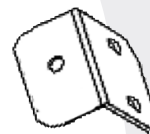
x1



x2 (AAA)



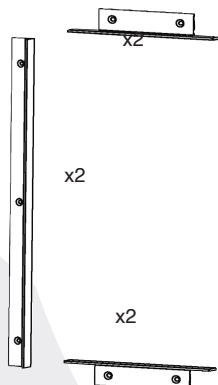
x1



110RW x4  
150RW x6  
190RW x6

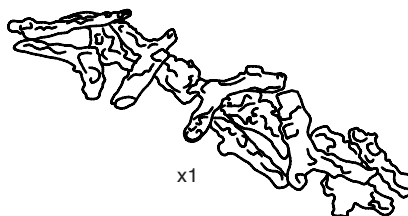


x1

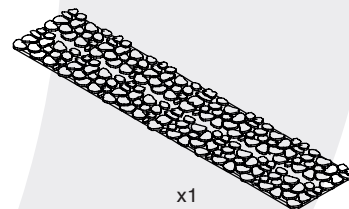


x2

x2



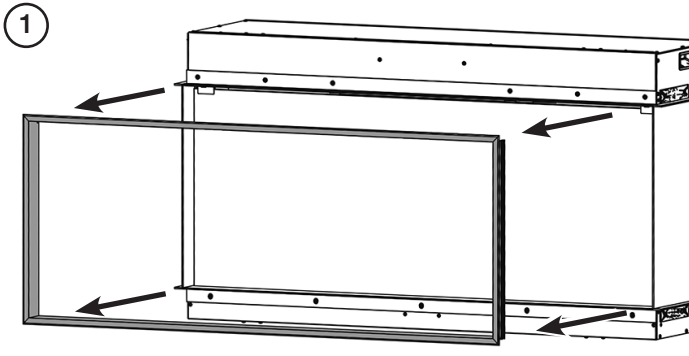
x1



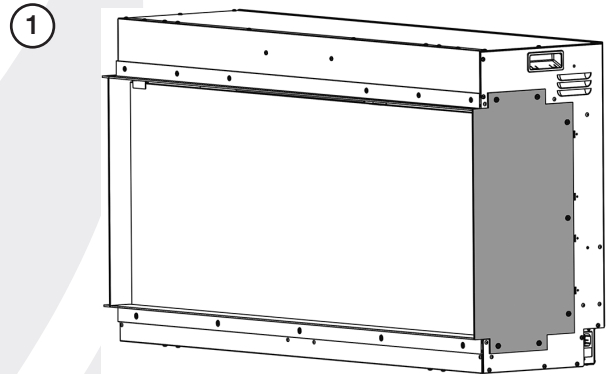
x1

## PRE-INSTALLATION

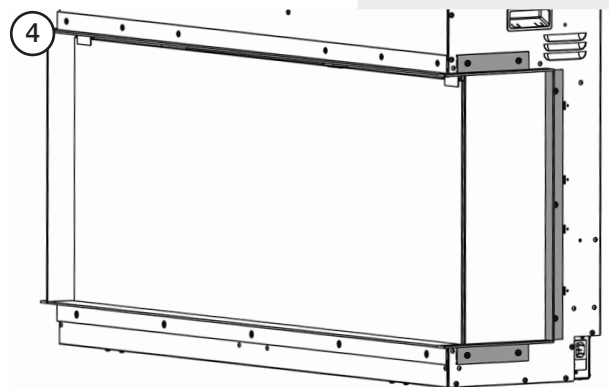
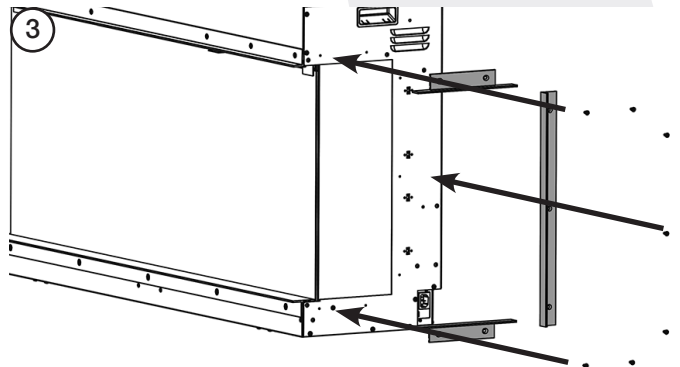
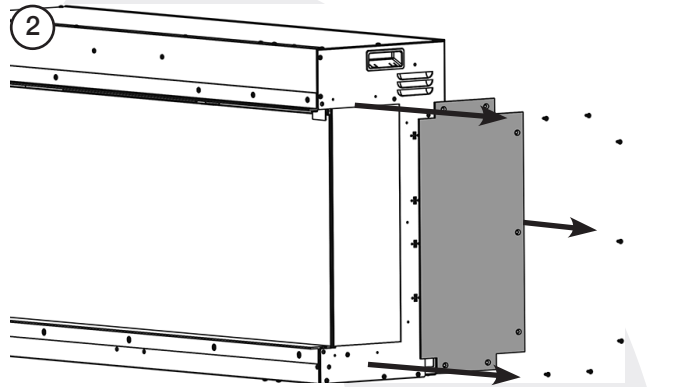
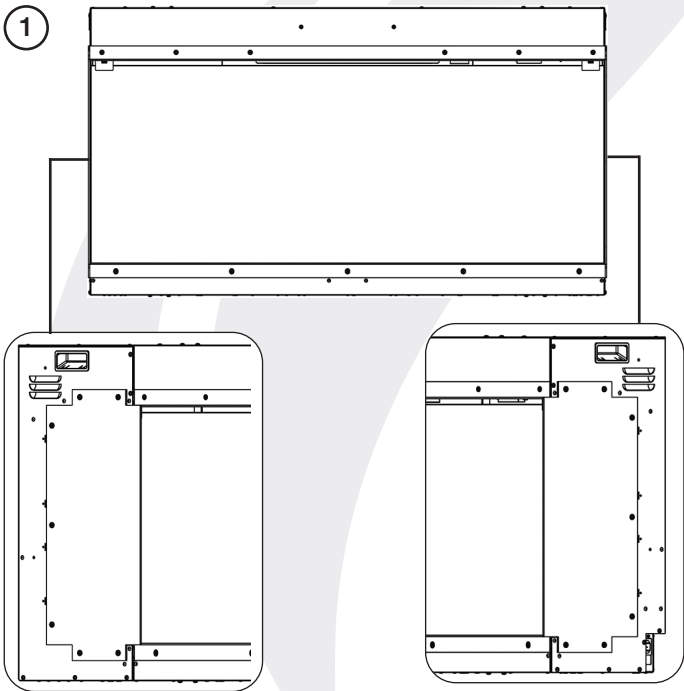
### DECORATIVE FRAME



### RIGHT VIEWING FACE

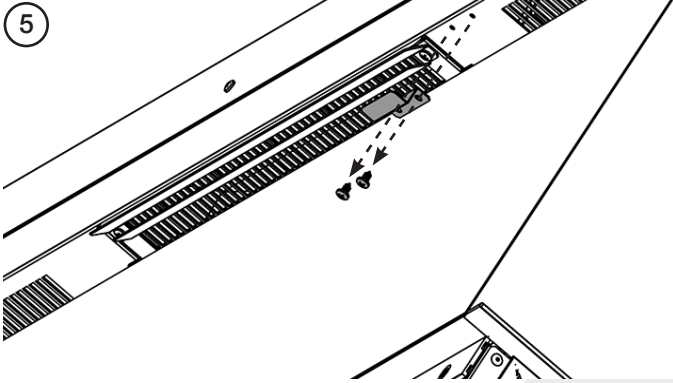


### FRONT VIEWING FACE

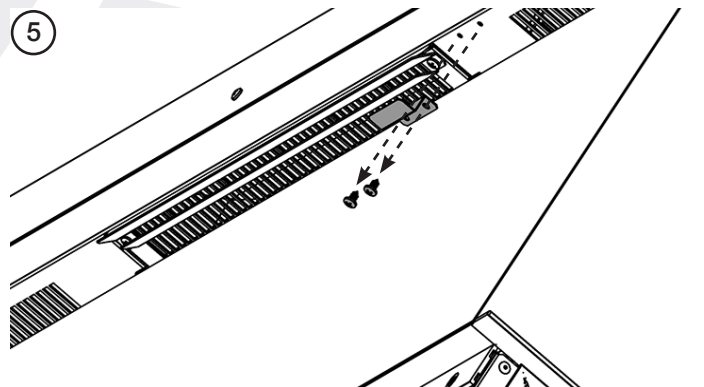
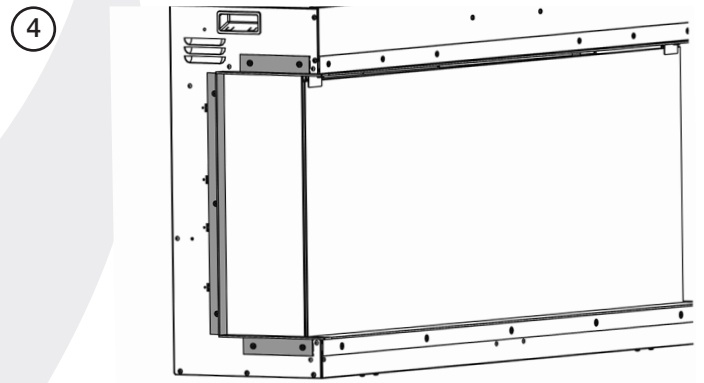
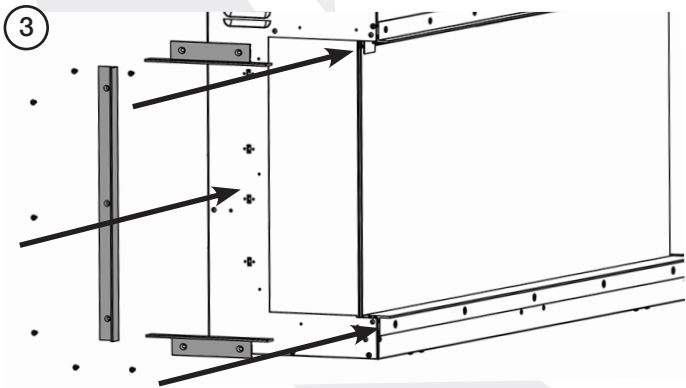
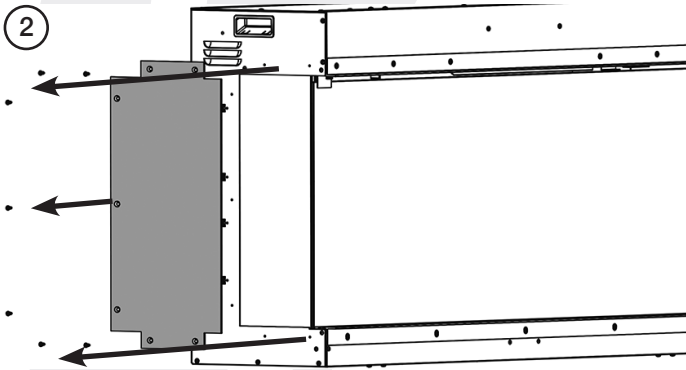
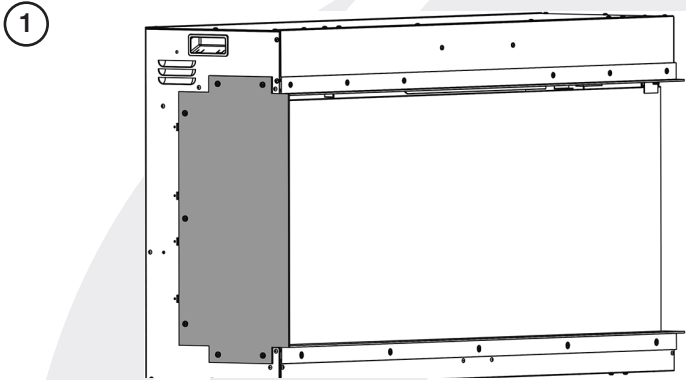




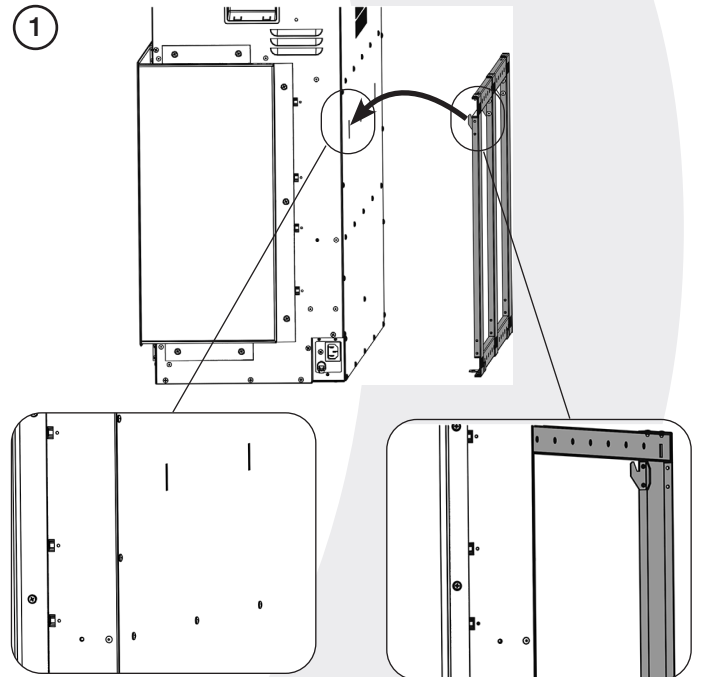
## PRE-INSTALLATION



LEFT VIEWING FACE

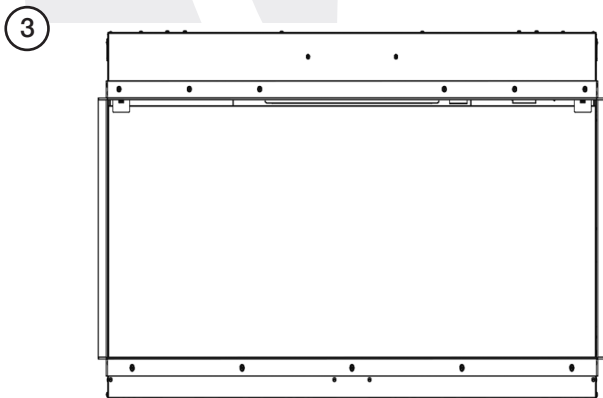
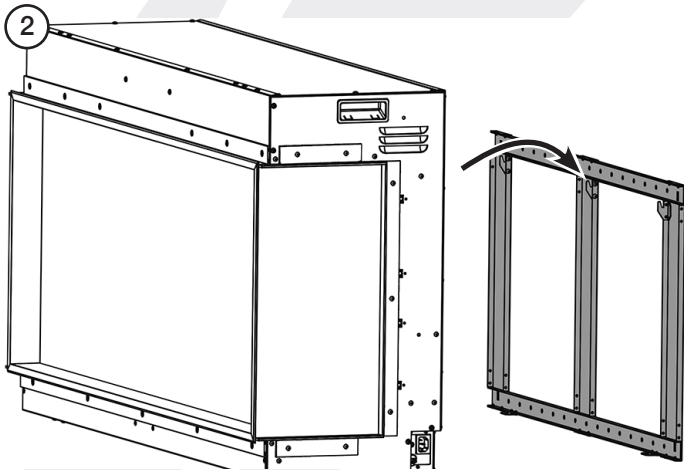
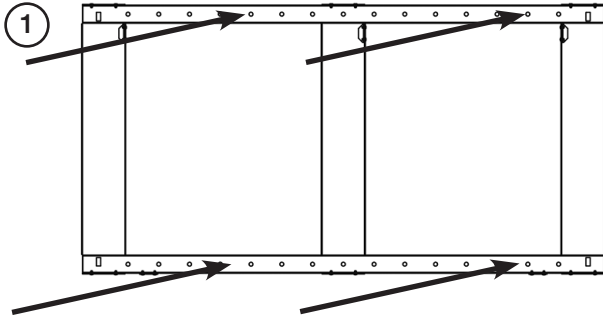


MOUNTING BRACKET

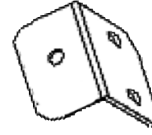


## INSTALLATION

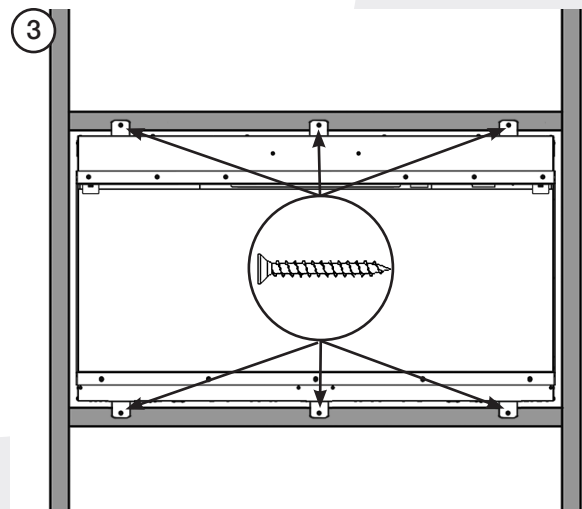
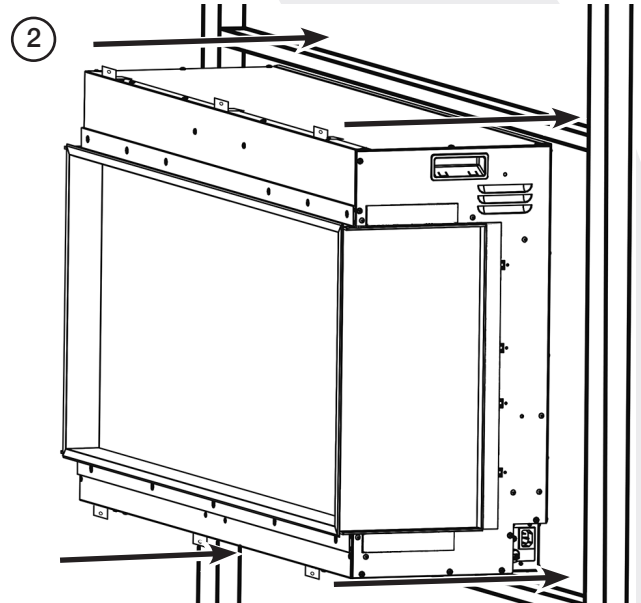
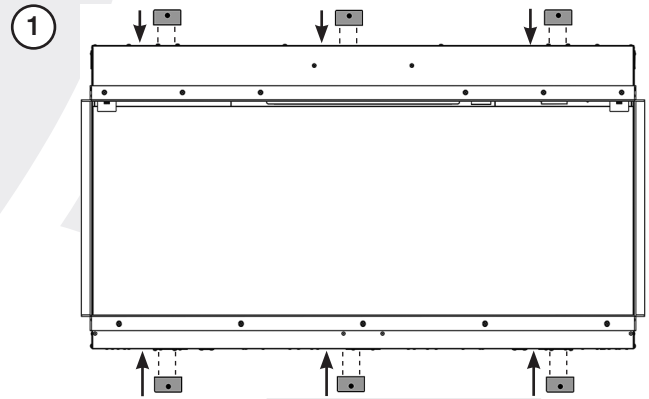
### INSTALLATION METHOD 1

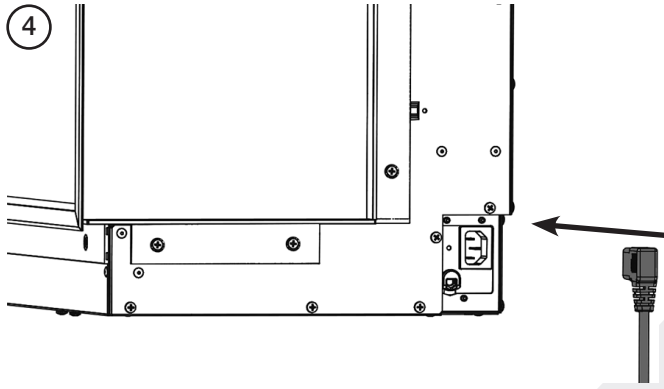


### INSTALLATION METHOD 2

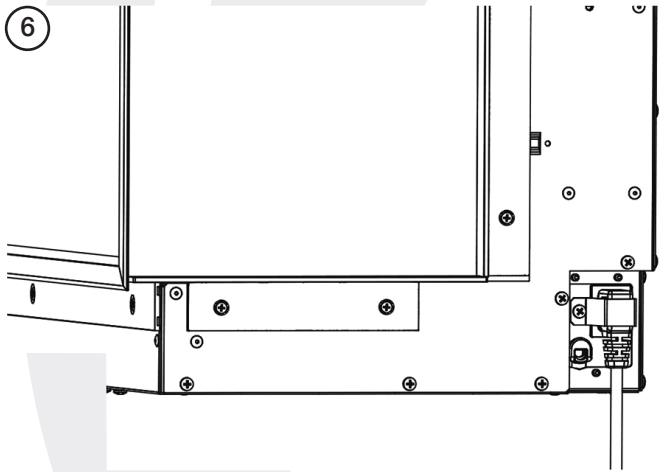
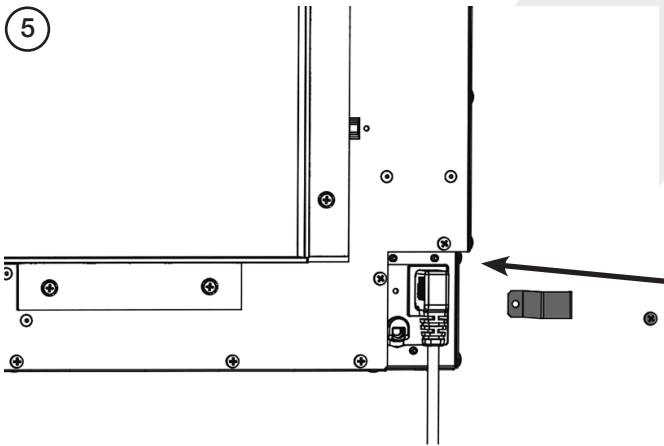


110RW x4  
150RW x6  
190RW x6

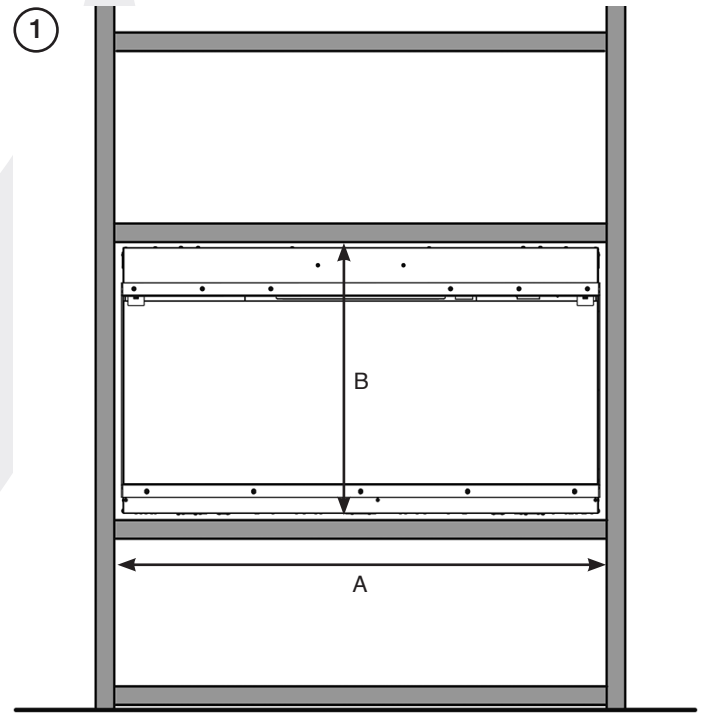




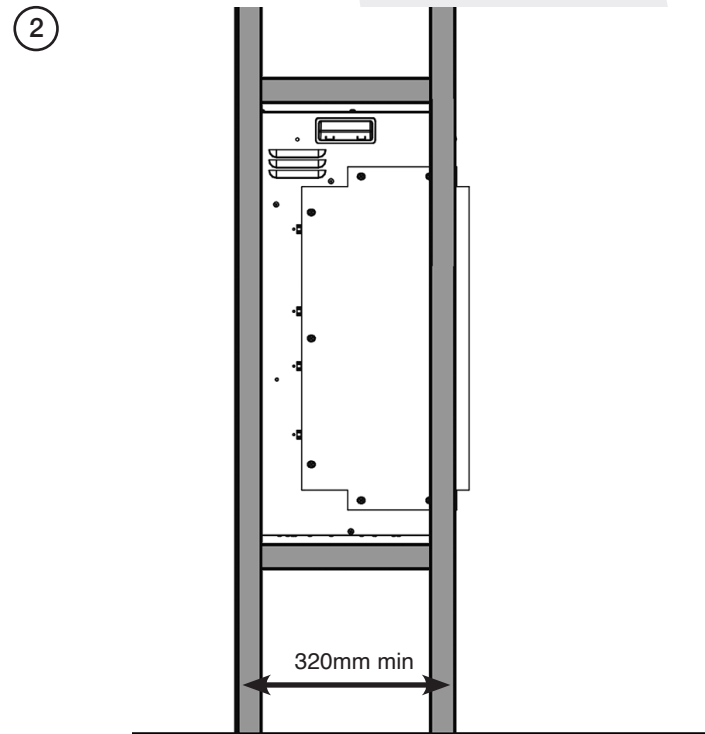
**ALL METHODS**

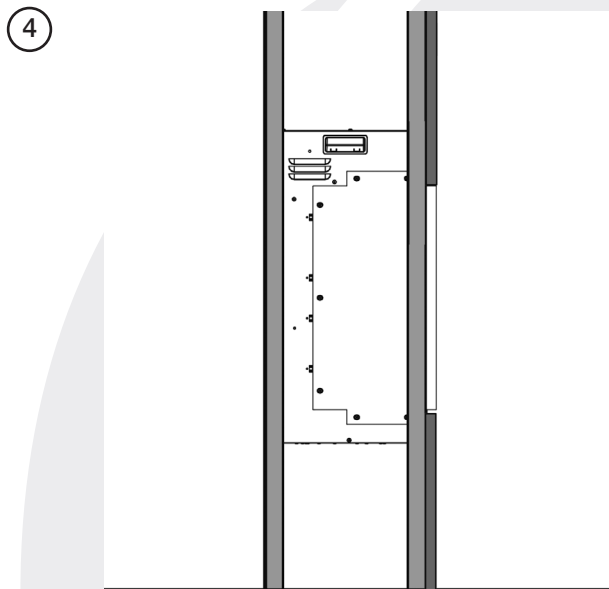
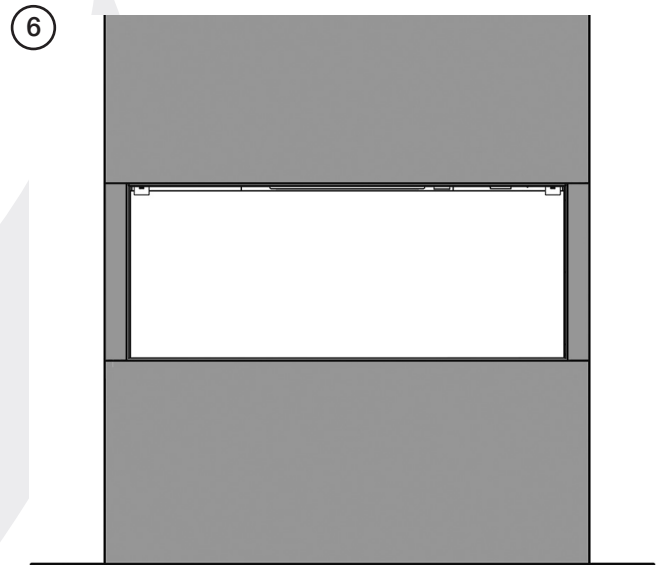
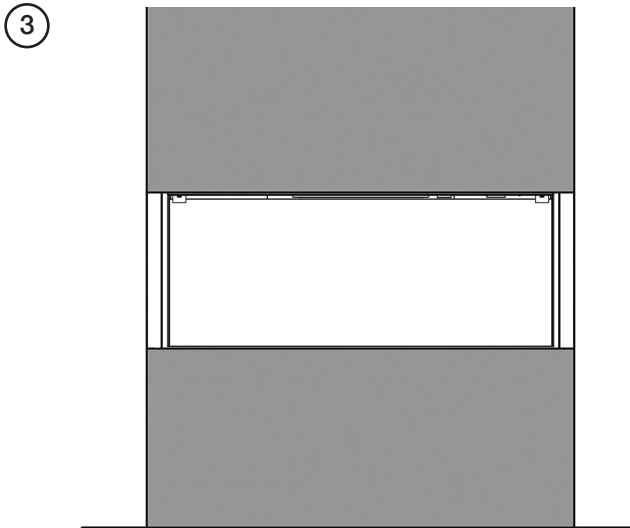


**FRONT VIEWING FACE INSTALLATION**

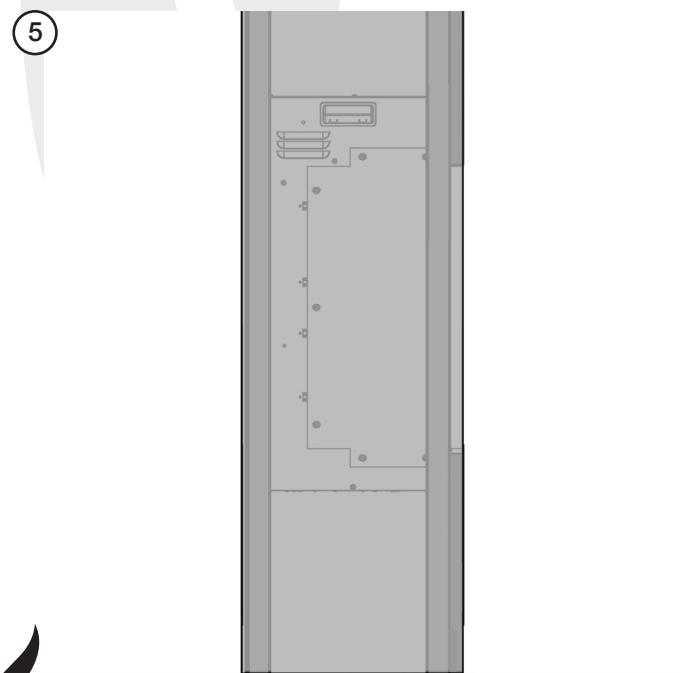
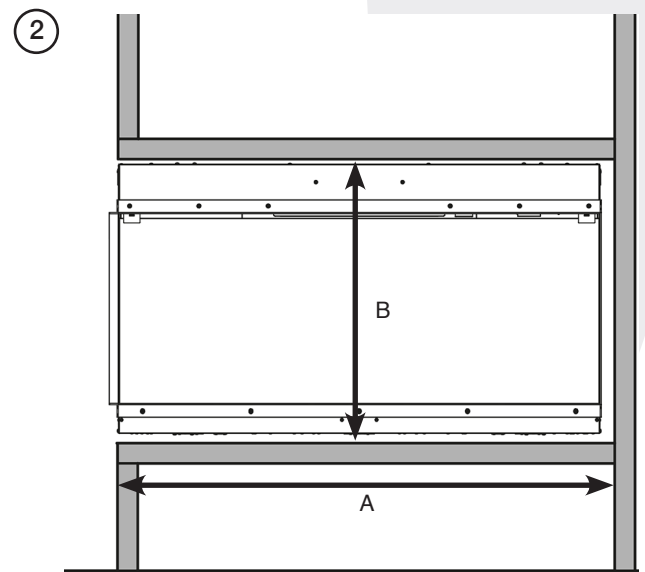
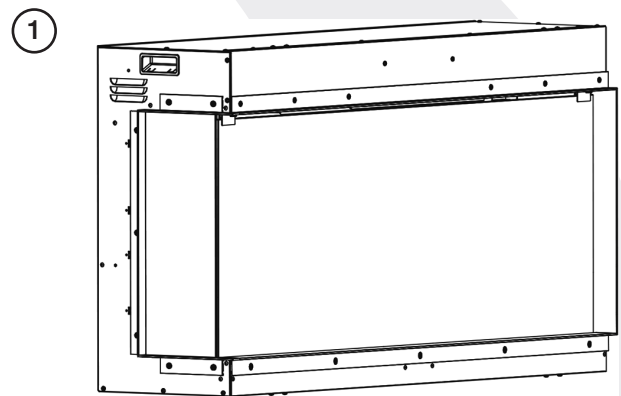


AVANTI	A	B
110RW	1138	641
150RW	1538	641
190RW	1988	641



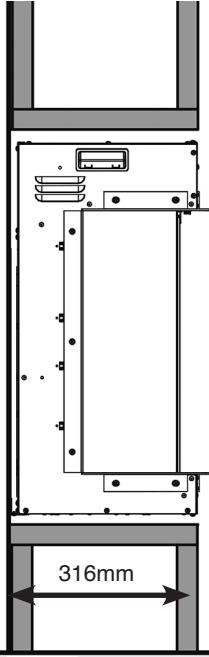


TWO SIDED VIEW INSTALLATION

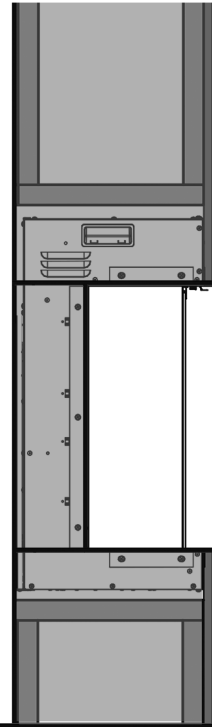


AVANTI	A	B
110RW	1128	635
150RW	1528	635
190RW	1978	635

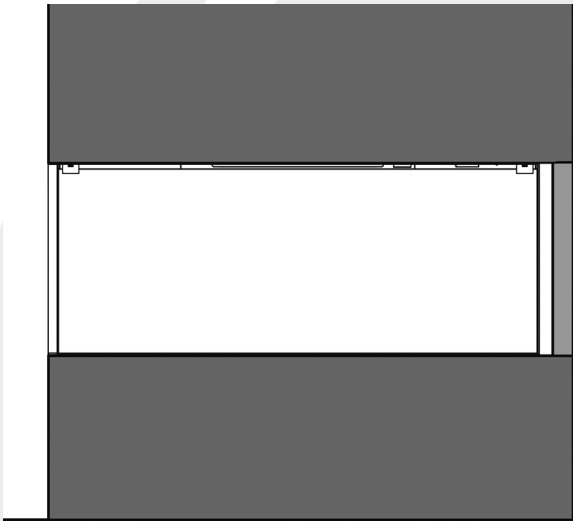
③



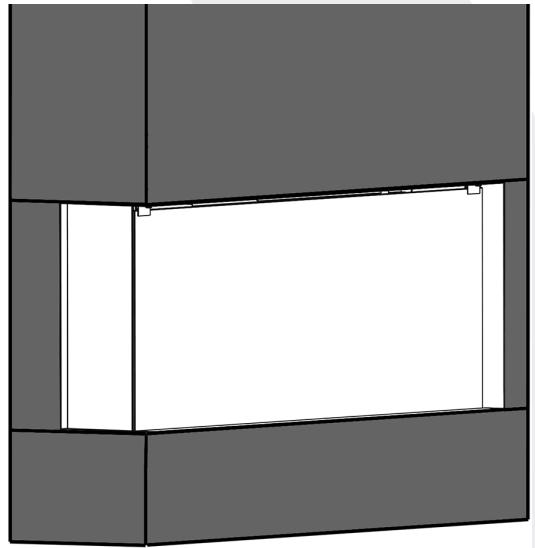
⑥



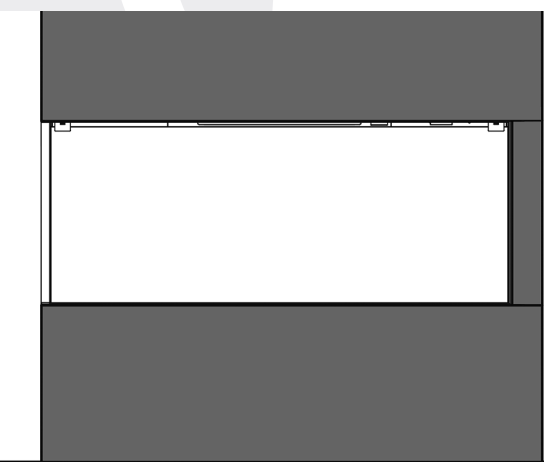
④



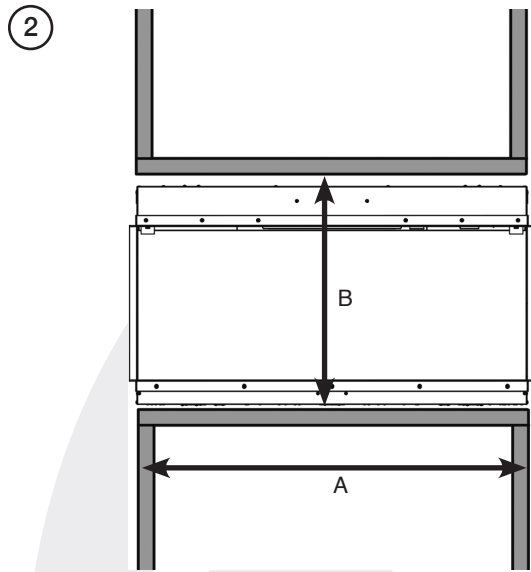
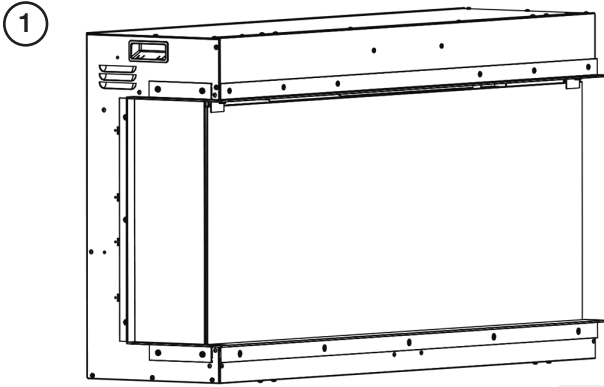
⑦



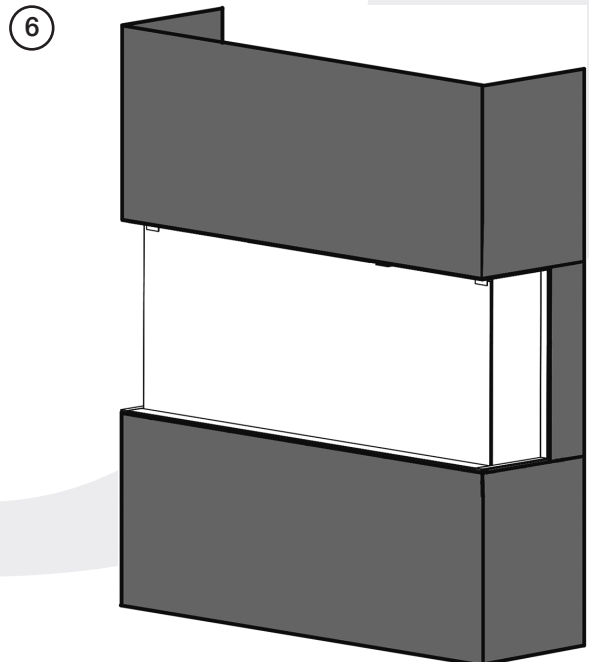
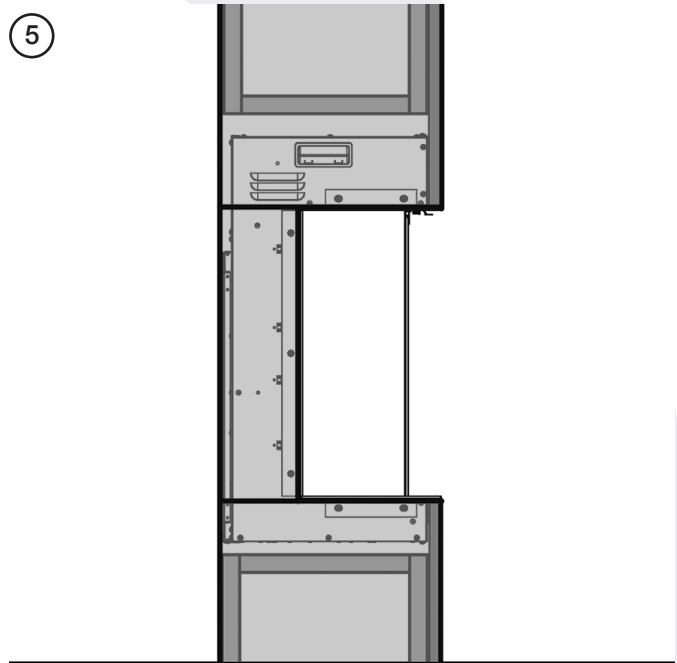
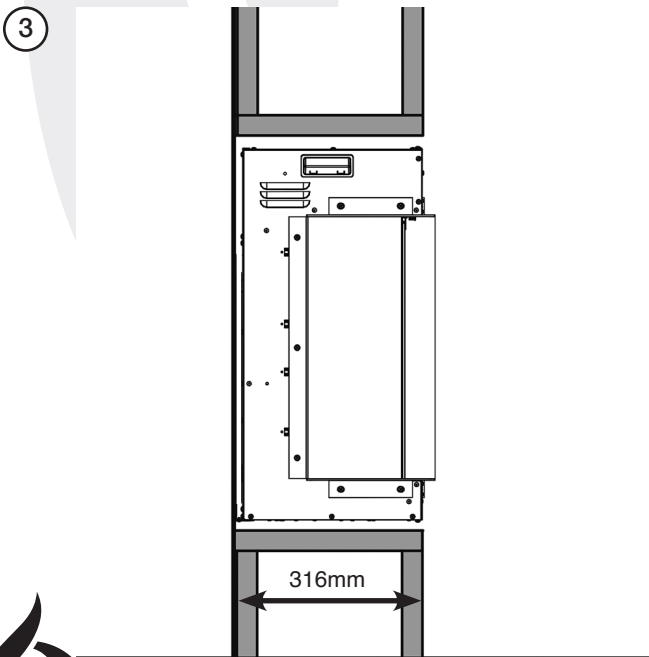
⑤



## THREESIDED VIEW INSTALLATION

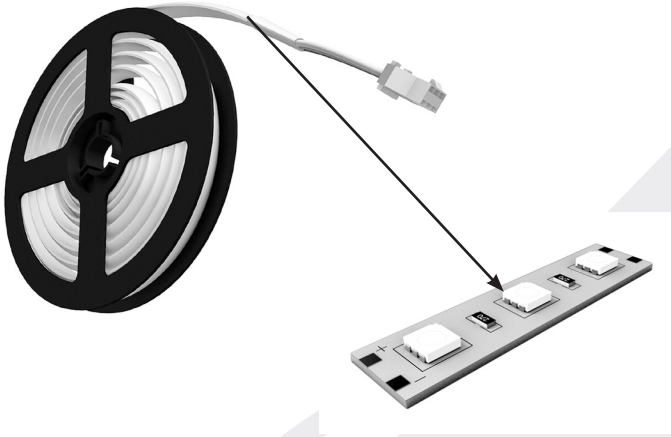


AVANTI	A	B
110RW	1130	638
150RW	1530	638
190RW	1980	638

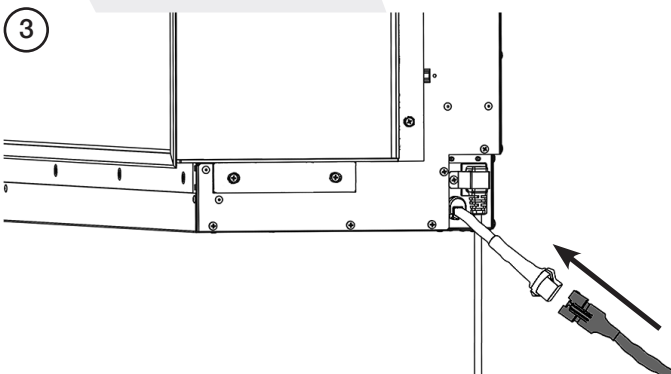
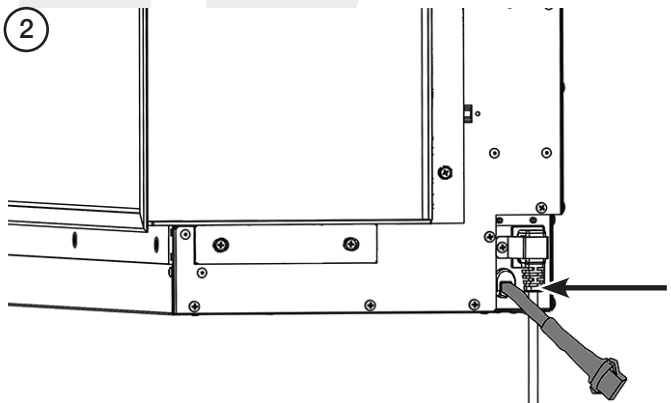
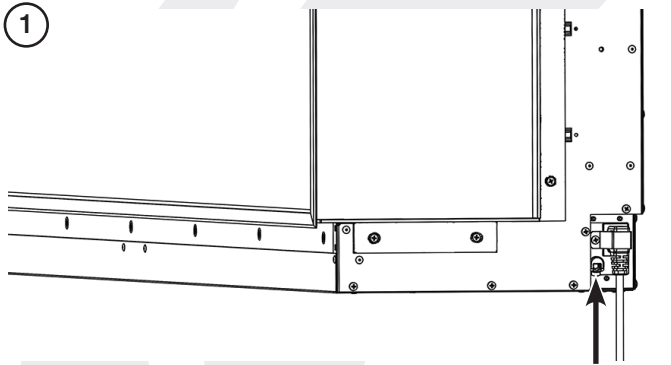


## OPTIONAL LED MOOD LIGHTING

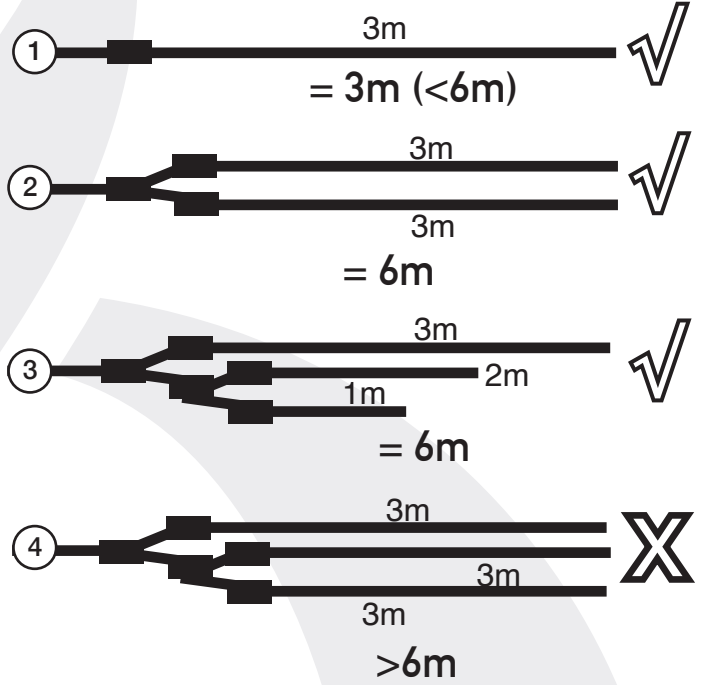
The Avanti can be enhanced by an optional LED Mood Lighting Strip.



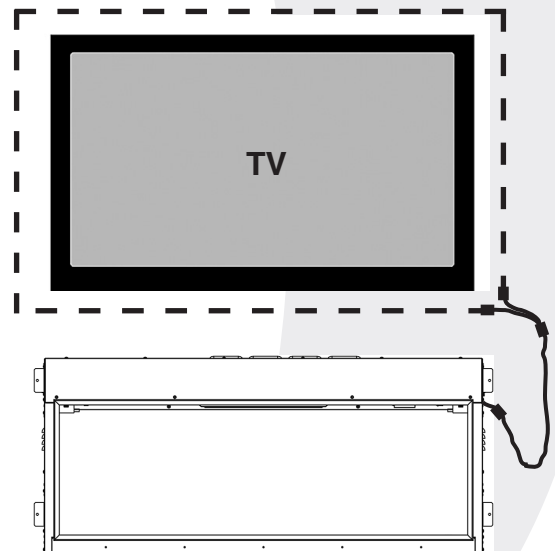
Part Code: 923-835



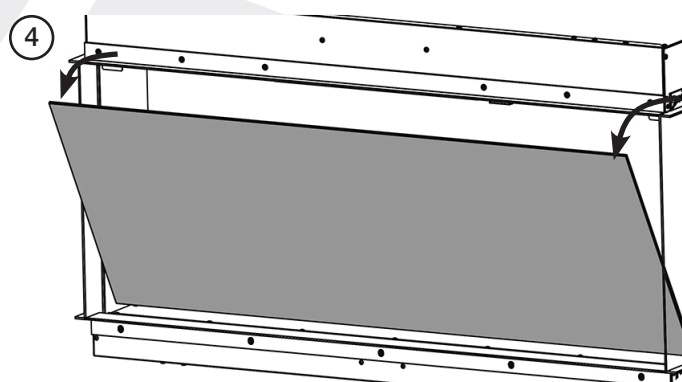
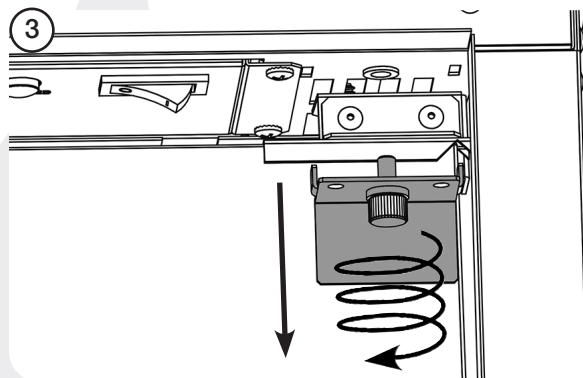
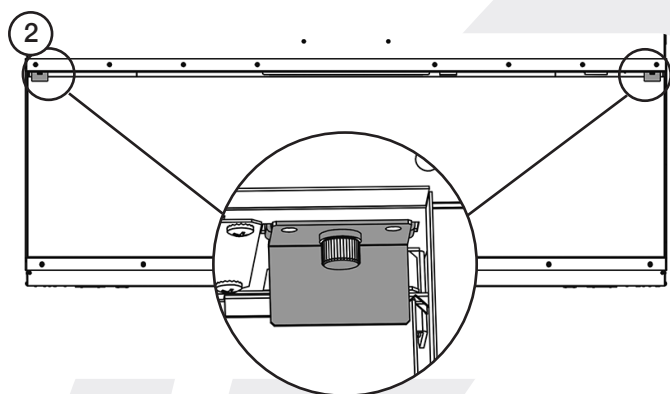
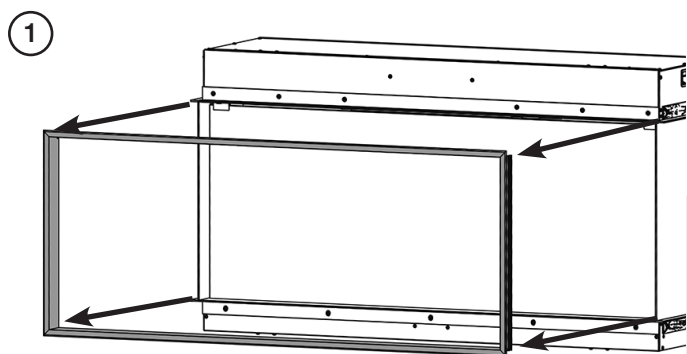
## Options



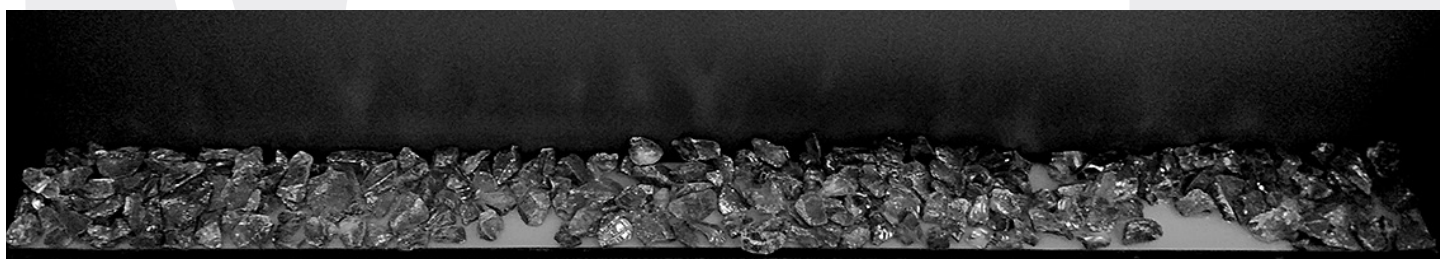
## Example



## ACCESSING THE FUEL BED



## GLASS EMBERS



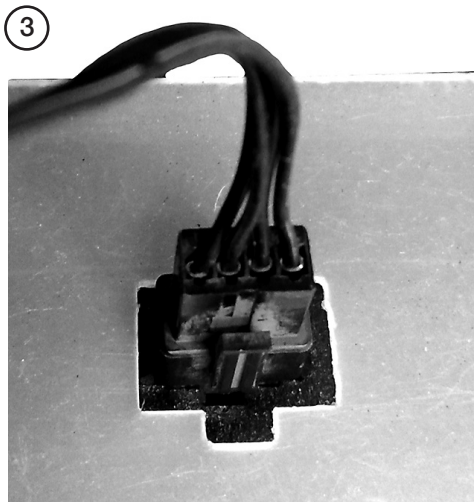
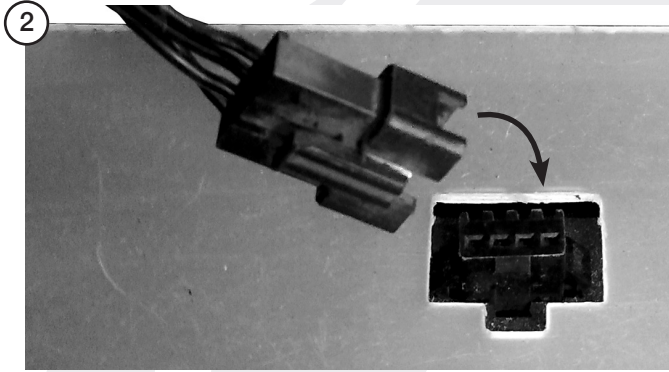
Spread the Glass Embers evenly over the fuel bed.  
Note: The Ember Logs (See Log Layout) will rest directly on the fuel bed).



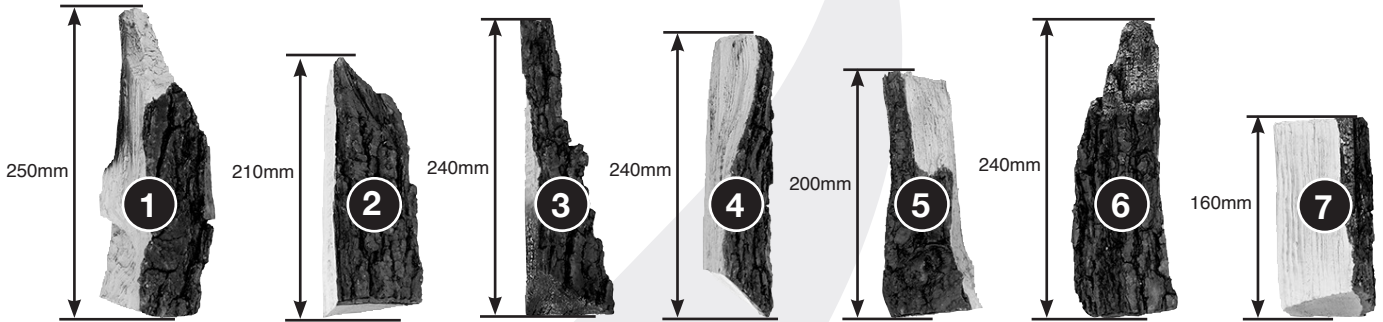


## GLASS EMBERS

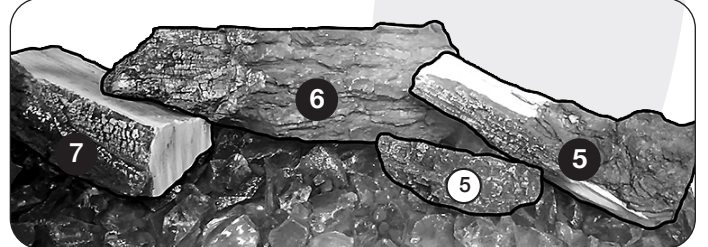
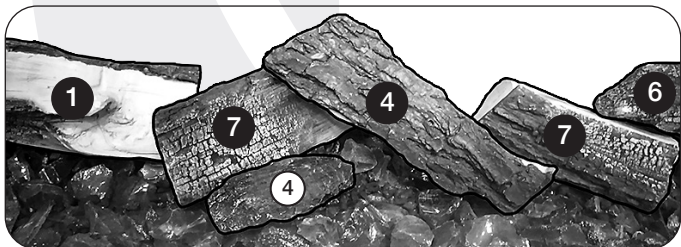
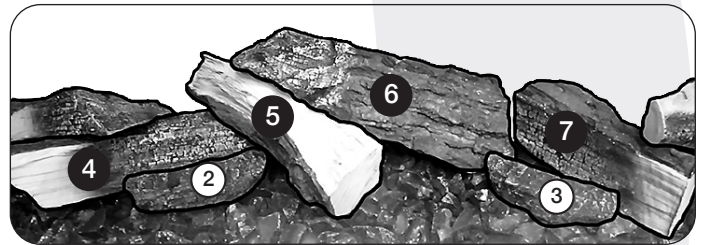
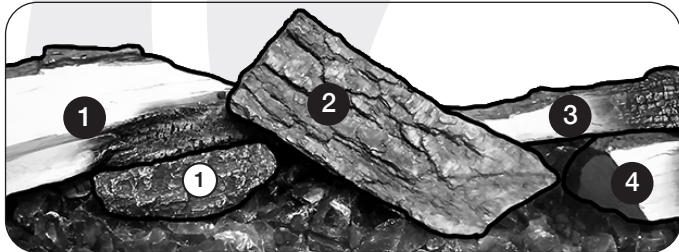
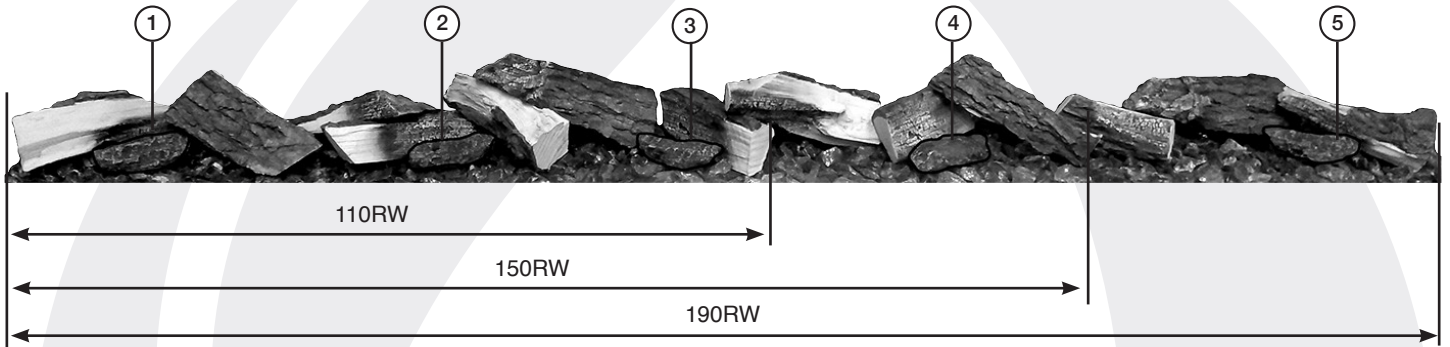
	110RW	150RW	190RW
No.	3	4	5



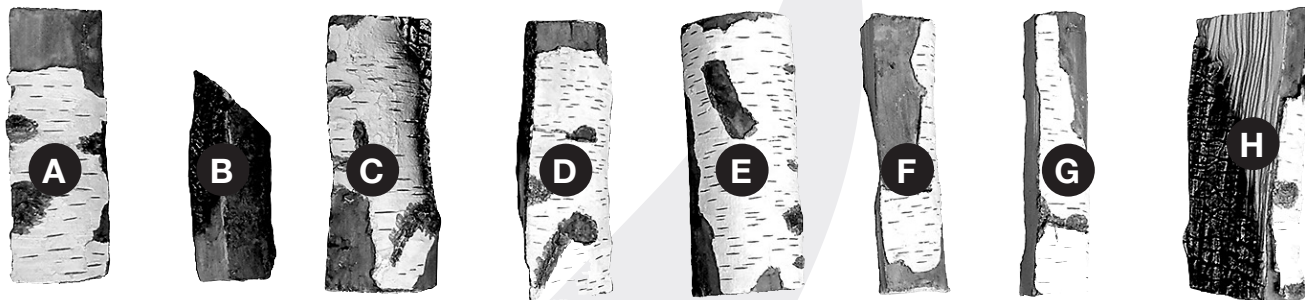
## LOG SET - LOG LAYOUT



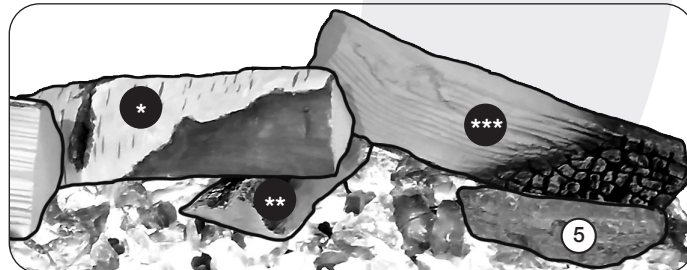
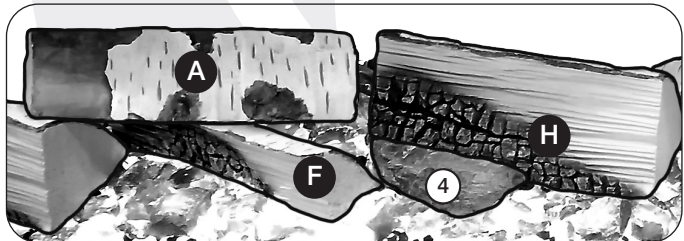
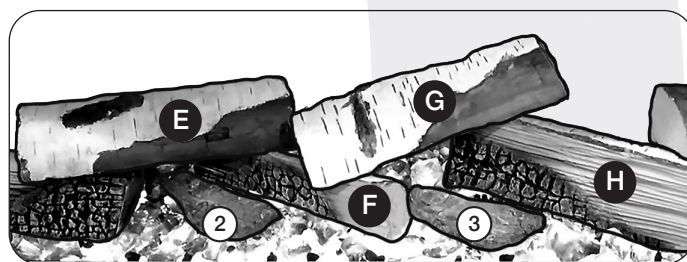
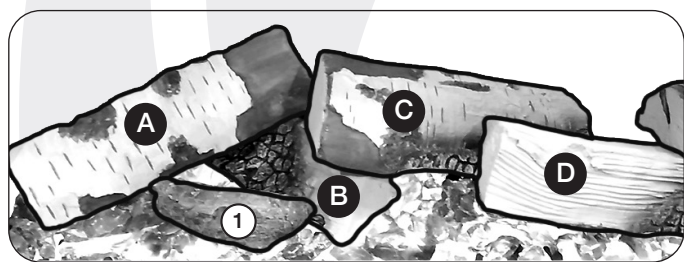
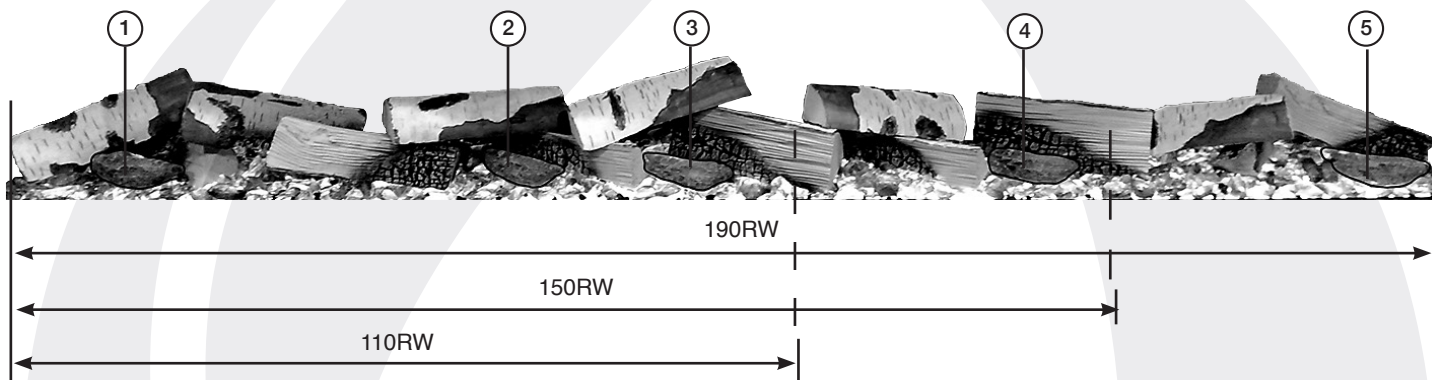
	1	2	3	4	5	6	7
Avanti 110RW	x1	x1	x1	x1	x1	x1	x1
Avanti 150RW	x2	x1	x1	x2	x1	x1	x2
Avanti 190RW	x2	x1	x1	x2	x2	x2	x3



## LOG SET - LOG LAYOUT

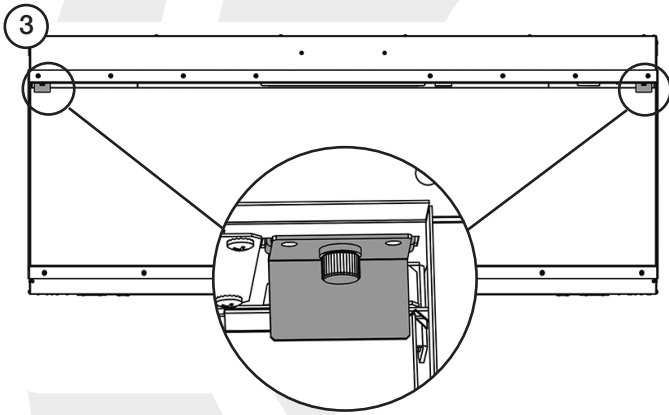
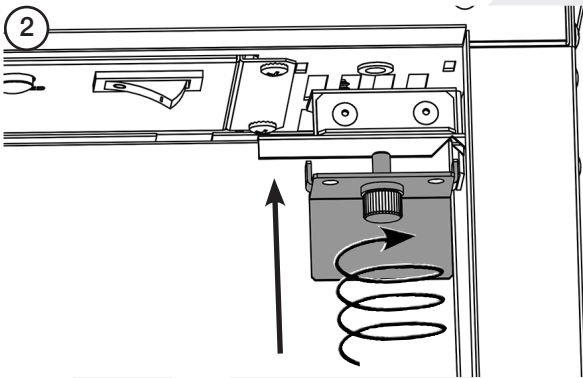
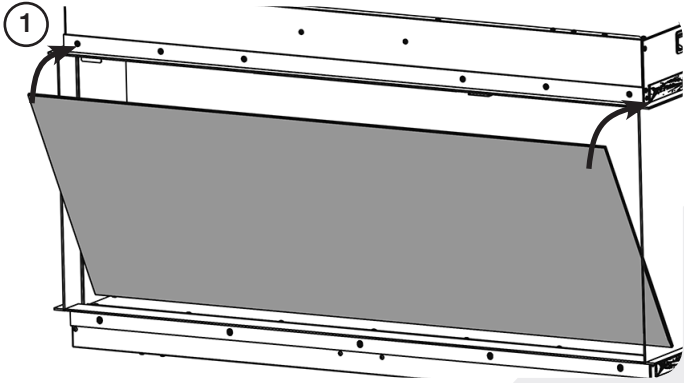


	A	B	C	D	E	F	G	H
Avanti 110RW	x1	x1	x1	x1	x1	x1	x1	x1
Avanti 150RW	x2	x1	x1	x1	x1	x2	x1	x2
Avanti 190RW	x2	x2	x1	x2	x1	x2	x2	x2



\* A \*\* F \*\*\* H - Avanti 150RW  
 \* G \*\* B \*\*\* D - Avanti 190RW

## COMPLETION OF ASSEMBLY



## SERVICING INSTRUCTIONS

### SERVICING REQUIREMENTS



**DURING SERVICING OF THIS APPLIANCE IT MAY BE NECESSARY TO CUT CABLE TIES IN ORDER TO ACCESS AND REMOVE SOME OF THE PARTS. THESE MUST BE REPLACED WHEN REASSEMBLING THE APPLIANCE.**

**THIS APPLIANCE MUST ONLY BE SERVICED BY A SUITABLY QUALIFIED PERSON.**

**BEFORE UNDERTAKING ANY WORK ON THE APPLIANCE: SWITCH OFF THE APPLIANCE AND ISOLATE THE POWER SUPPLY ENSURING THERE IS NO POWER TO THE APPLIANCE.**

Wait for at least 10 minutes until the appliance has cooled down.

#### Remote Handset Battery Replacement

Replace with 2 AAA batteries. Make sure the batteries are installed correctly in the remote control.



**NOTE: The remote control has a Battery Status indicator (top right corner), after an extended period of displaying empty the LED screen will cease to function despite the handset still being able to send commands. Replace the batteries to restore display.**

#### Maintenance of Motors

The motor used on the flame effect is pre-lubricated for extended bearing life and requires no further lubrication. However, periodic cleaning/vacuuming of the heater unit is recommended.

#### Resetting the Thermal Cutout Switch

The appliance is fitted with an Electronic Safety Control (E.S.). This is a safety device which switches off the fire if the appliance overheats for any reason e.g. when covered.

If the heater stops operating whilst the flame effect continues normally, this indicates that the E.S. Control is in operation. The E.S. Control can only be re-set after the appliance has cooled down.

To re-set the E.S.:

Switch off the appliance (Manual On/Off switch) and leave for approximately 120 minutes.

Remove any obstruction to the fan heater outlet or other internal parts.

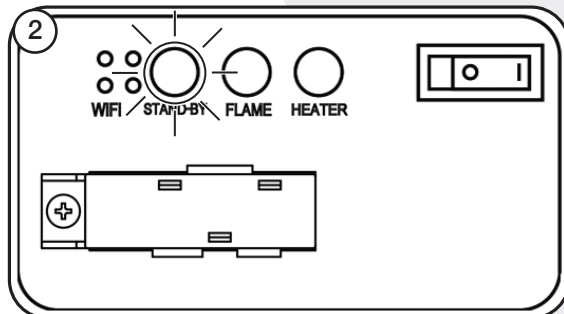
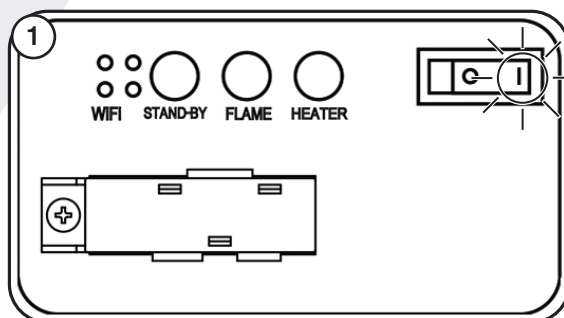
Switch on appliance and the E.S. Control will re-set. Ensure that the appliance is functioning correctly. If the E.S. Control operates again, the appliance should be checked by a competent Electrician.

### PAIRING THE REMOTE CONTROL TO THE APPLIANCE

#### Signal Code

The below operations should be carried out before coding when changing to a new remote or the unit cannot be controlled by the remote:

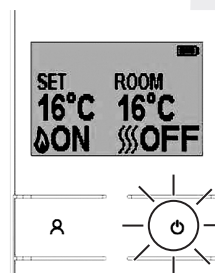
Press the power button until 2 short beeps sound from the unit, release the button.




3 seconds



2 Beeps



1 Beep

Within 10 seconds, press the  button on remote. The coding is finished when 1 long beep sounds from the unit.

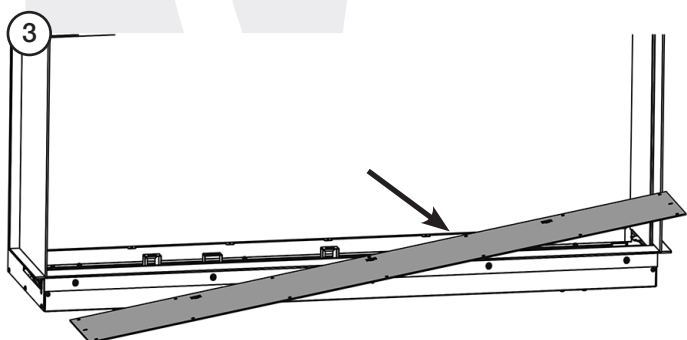
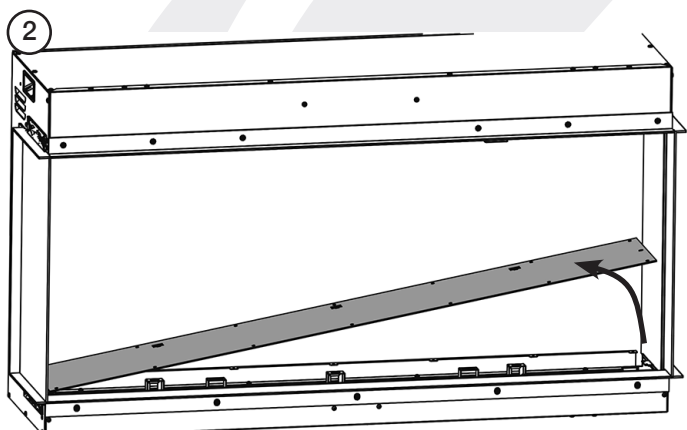
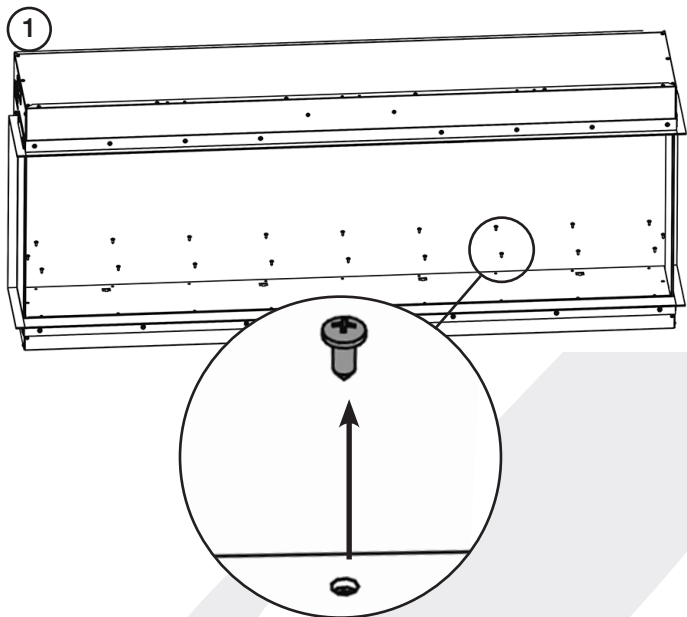
**Resetting of the remote control is necessary if the appliance operates wrongly due to external interference signal and the remote control is not in use.**

Open the back cover of the Remote.

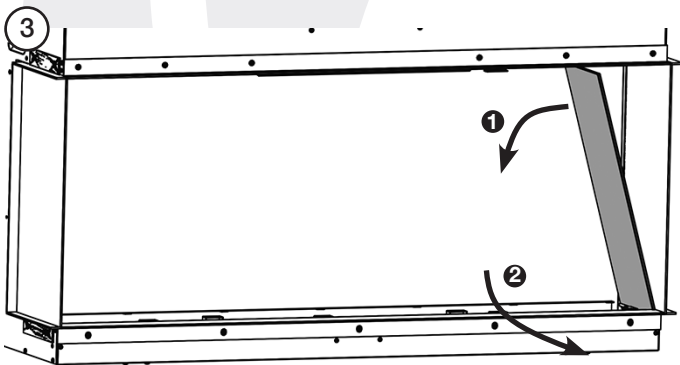
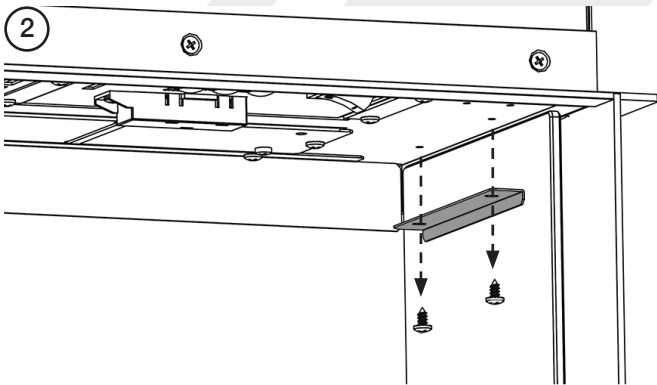
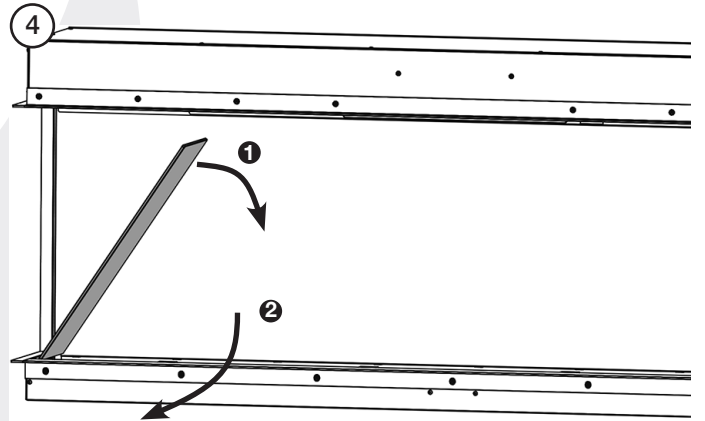
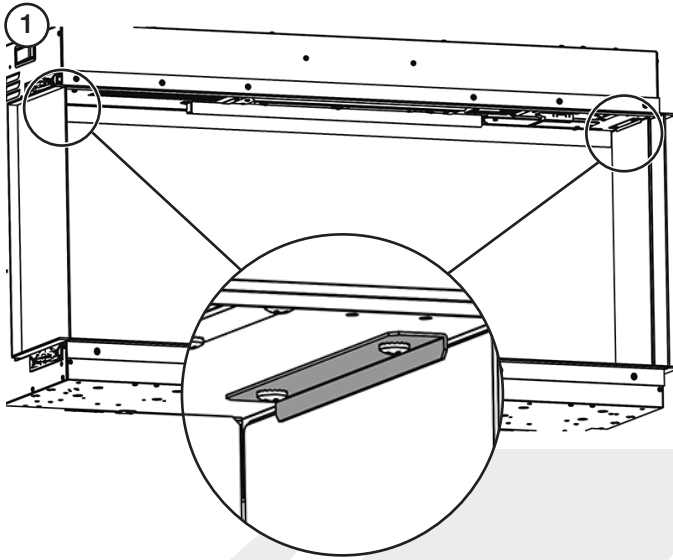
Press the Reset button for 3 seconds and reset the coding



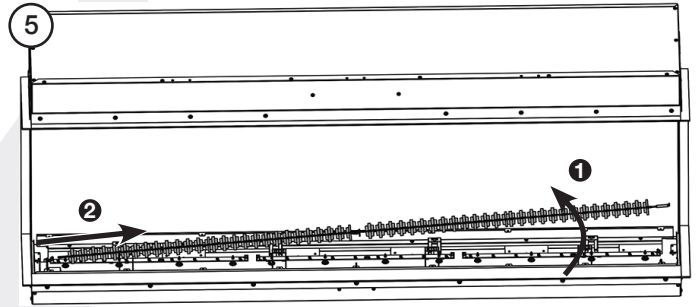
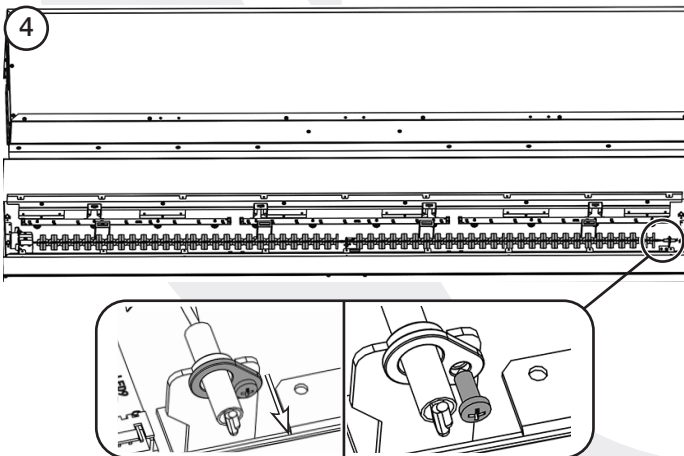
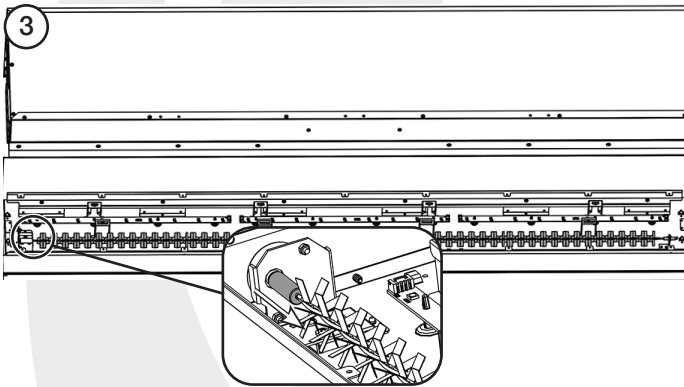
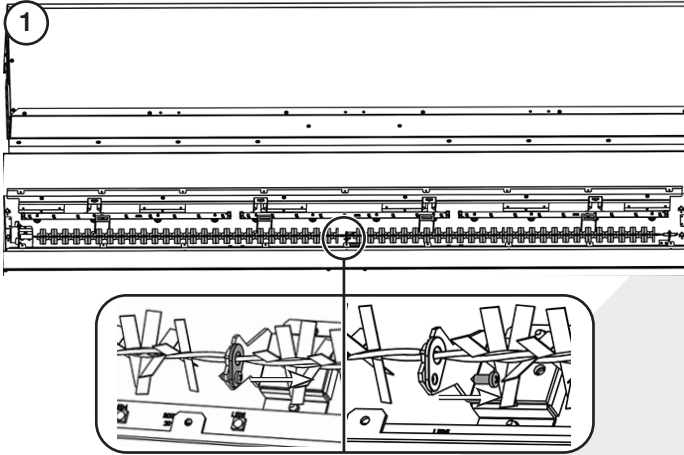
## REMOVING THE FUEL BED



## REMOVING THE GLASS SIDE PANELS

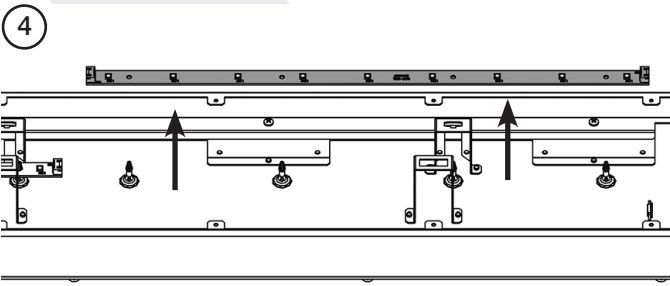
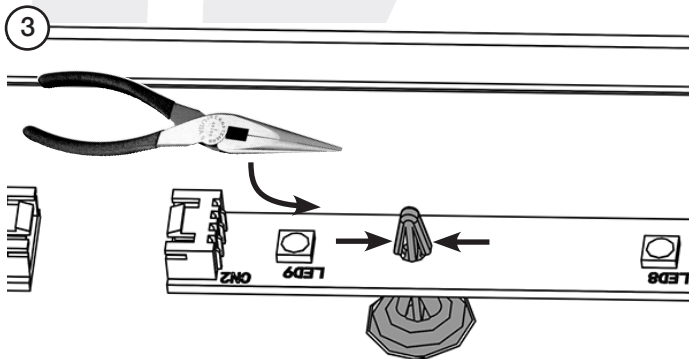
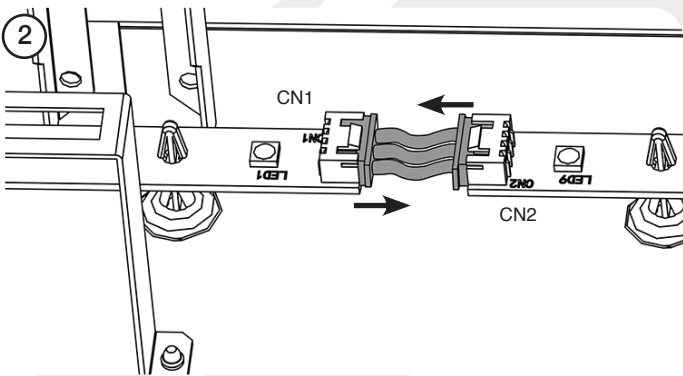
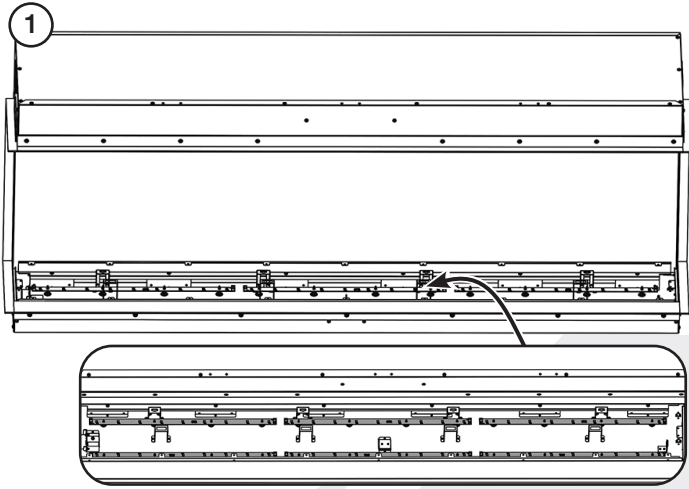


## REMOVING THE FUELBED EFFECT SPINDLE

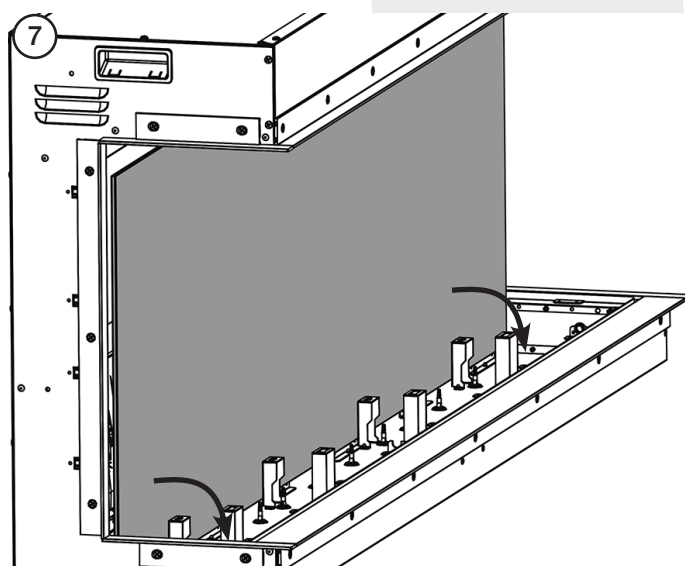
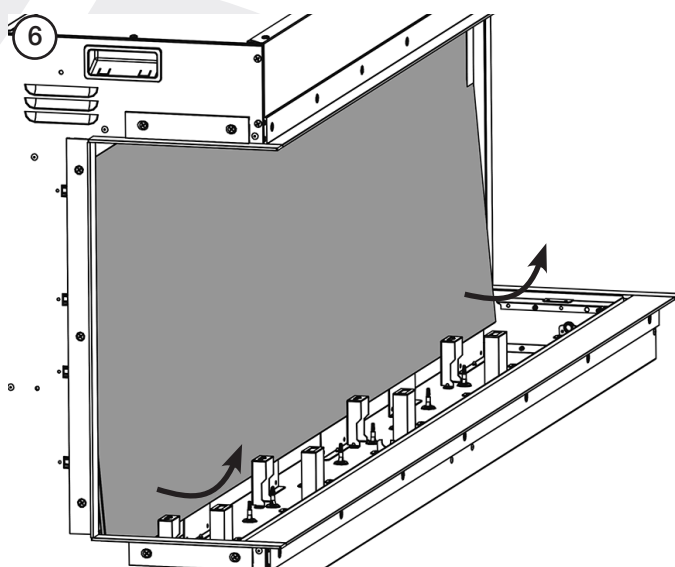
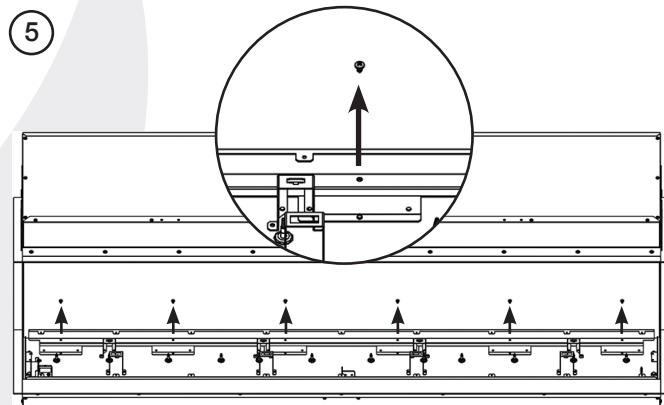
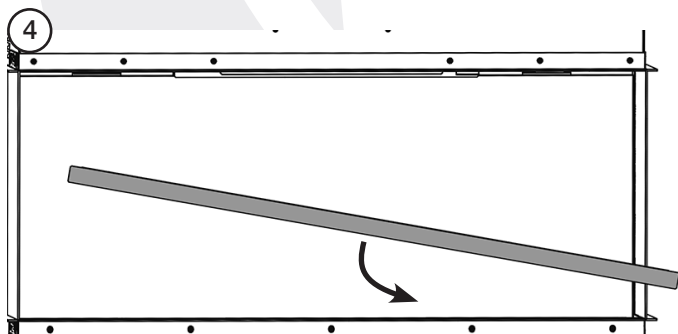
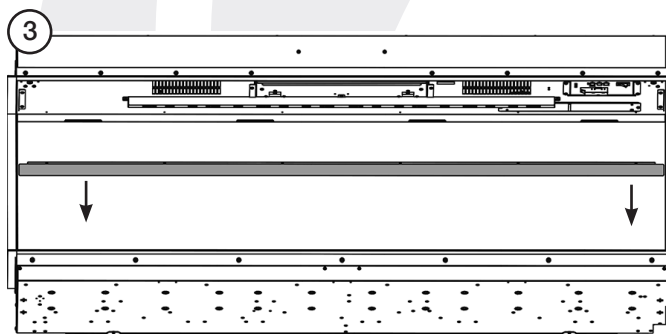
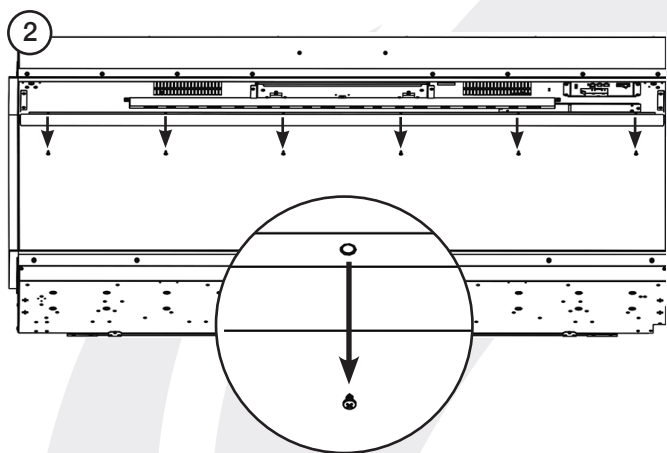
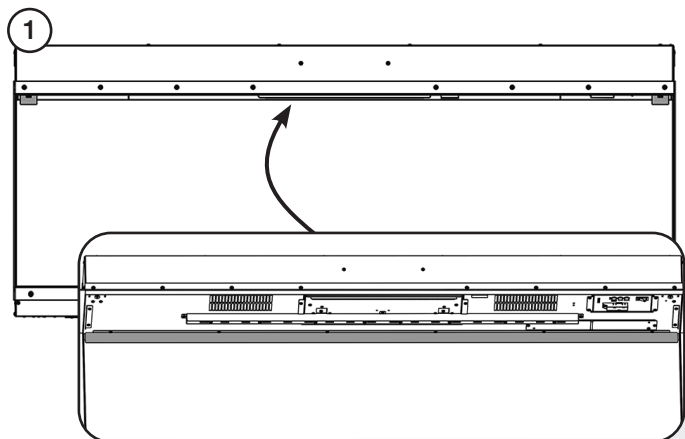




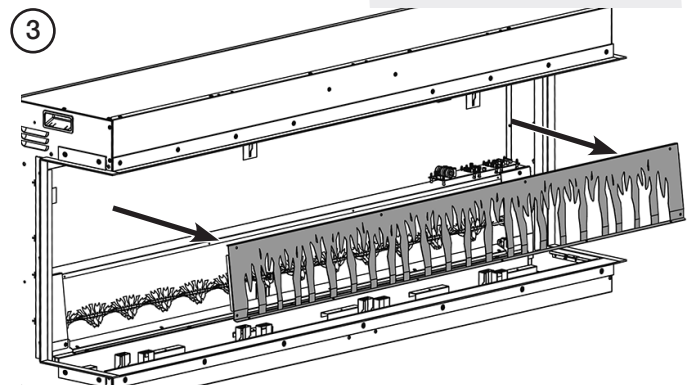
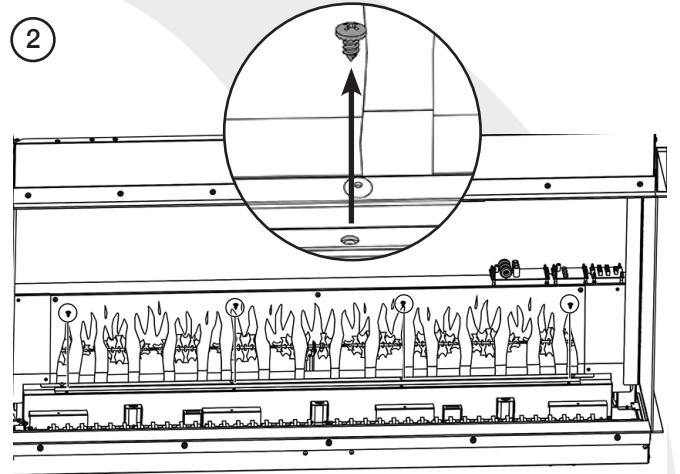
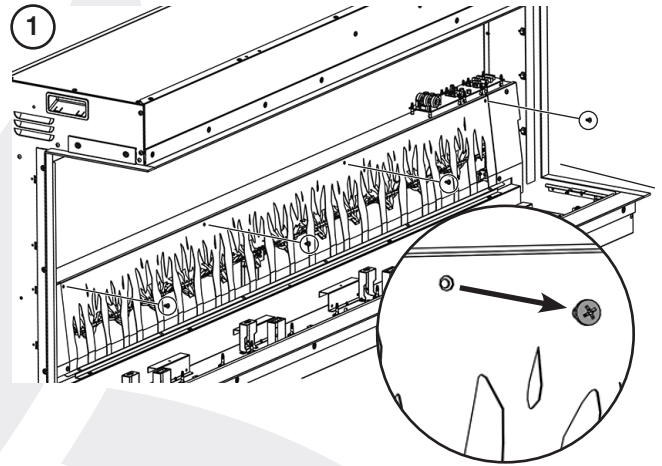
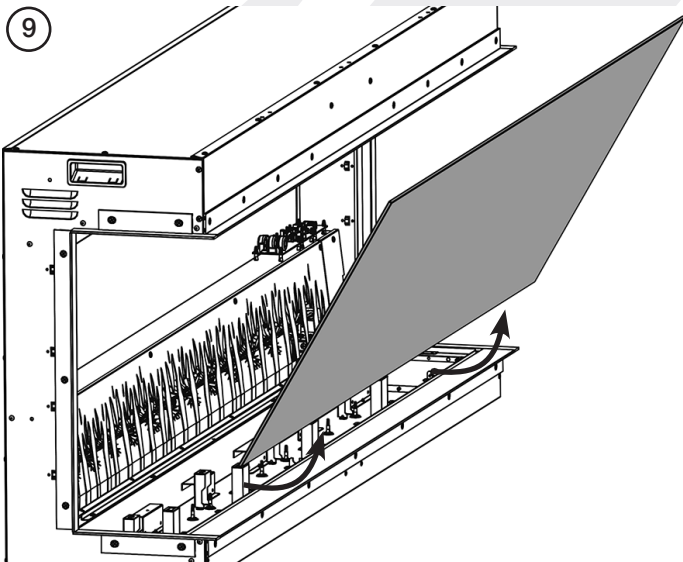
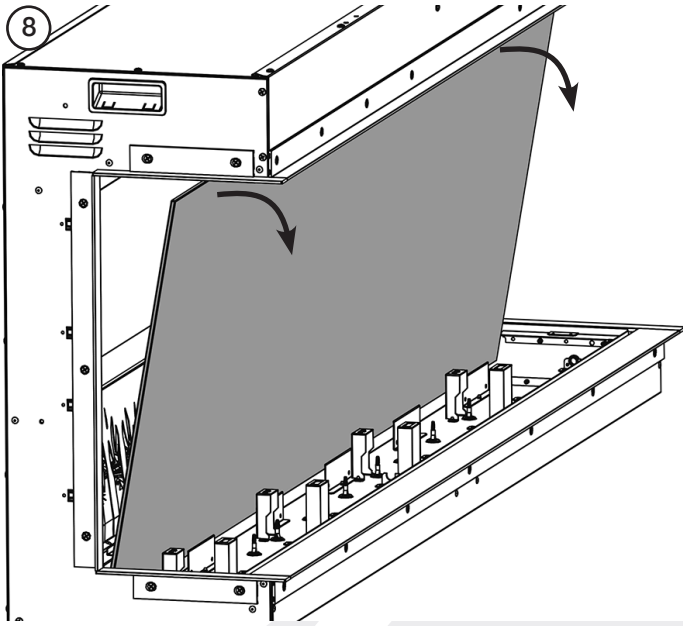
## REPLACING THE FUEL BED LEDS



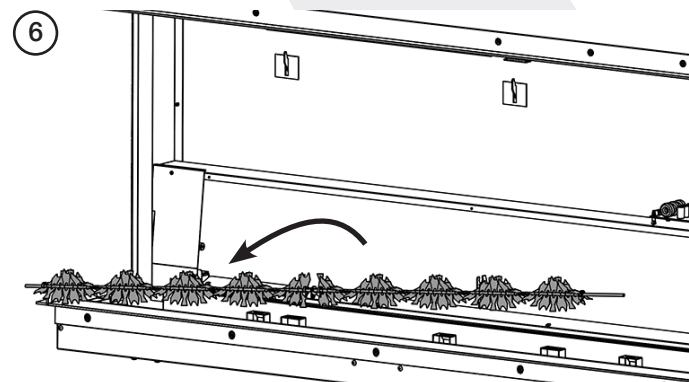
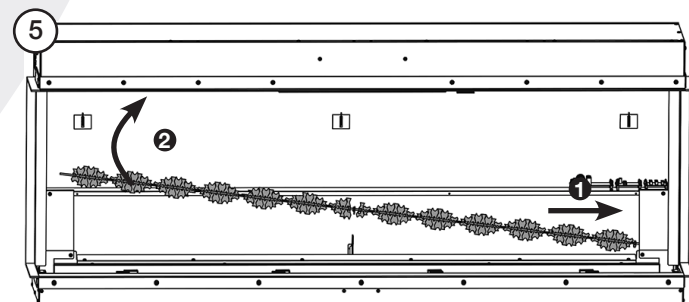
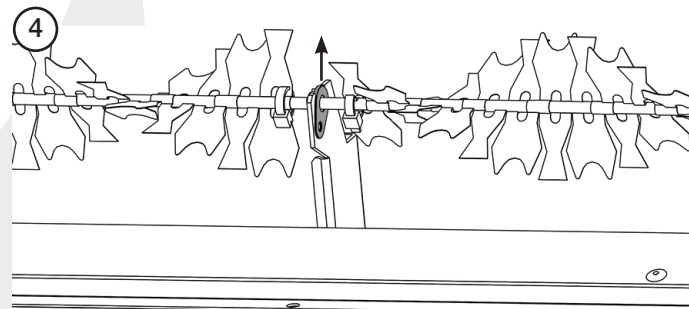
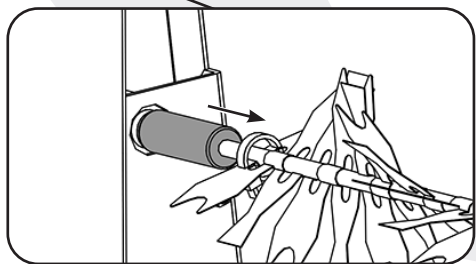
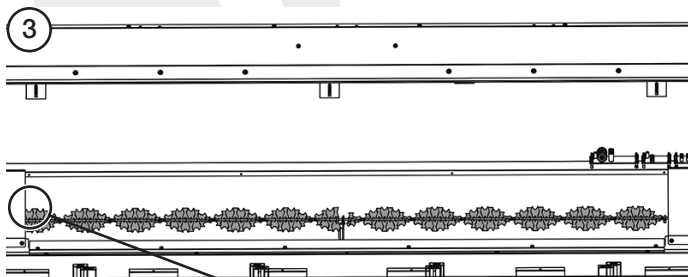
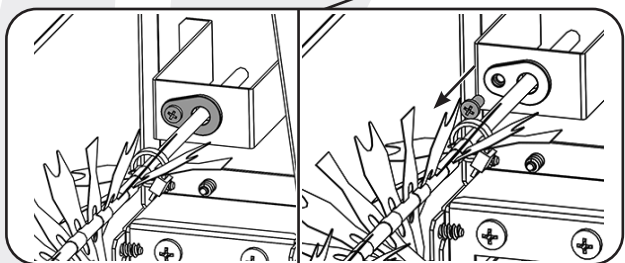
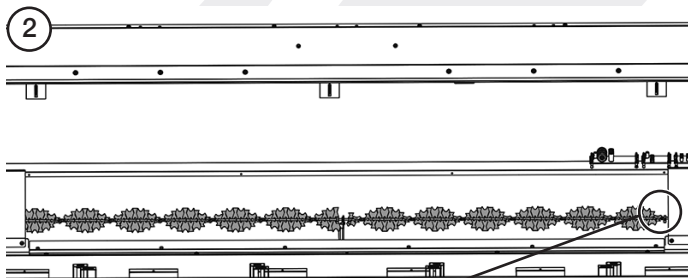
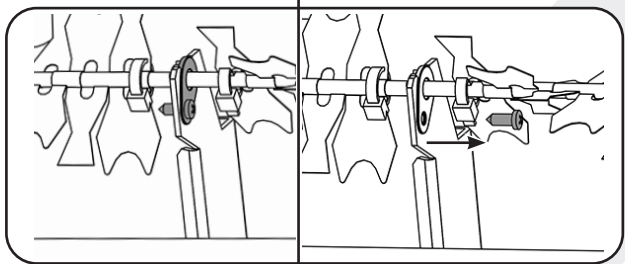
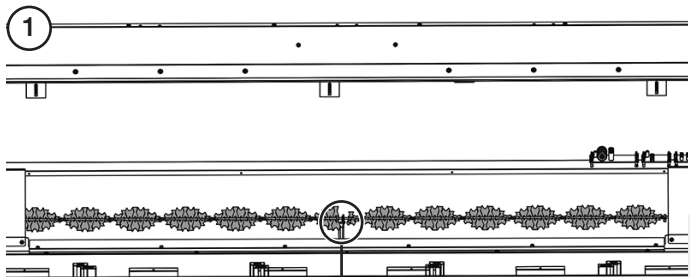
## REMOVING THE INNER SCREEN



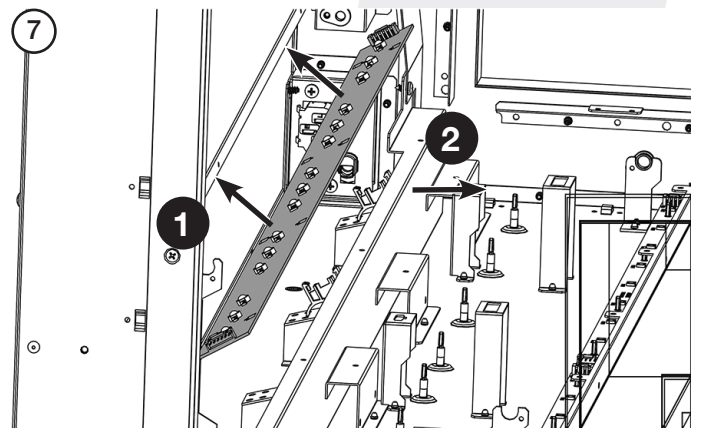
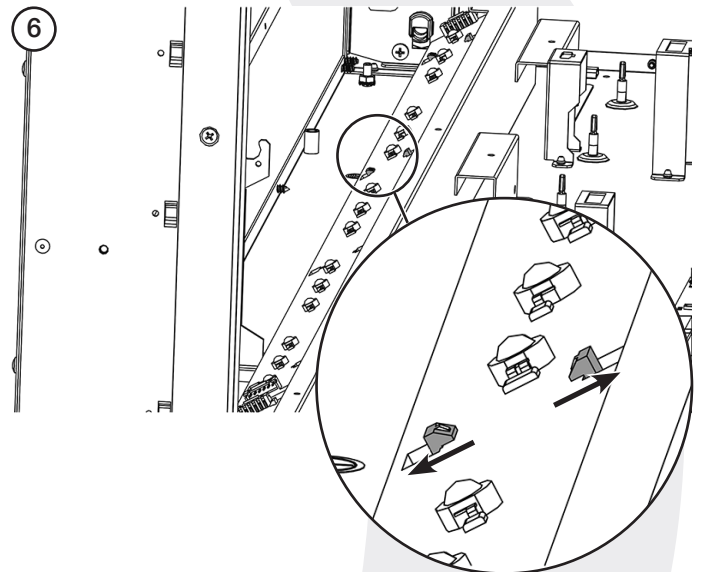
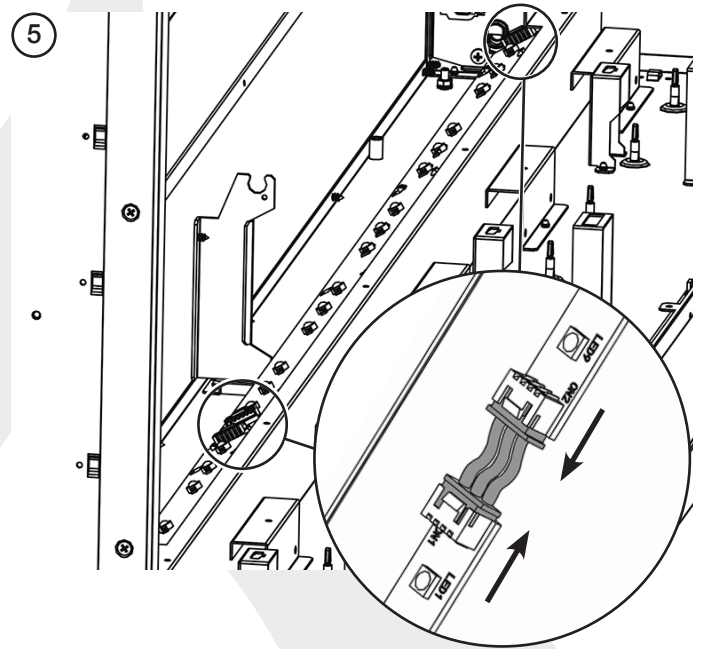
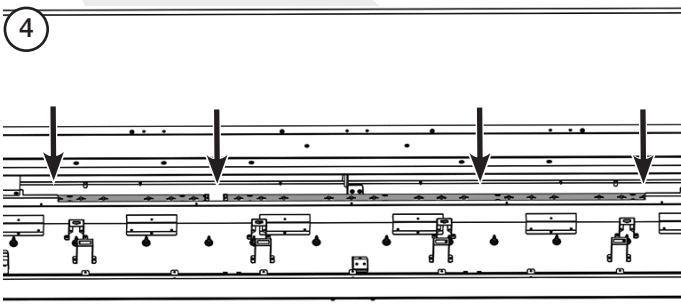
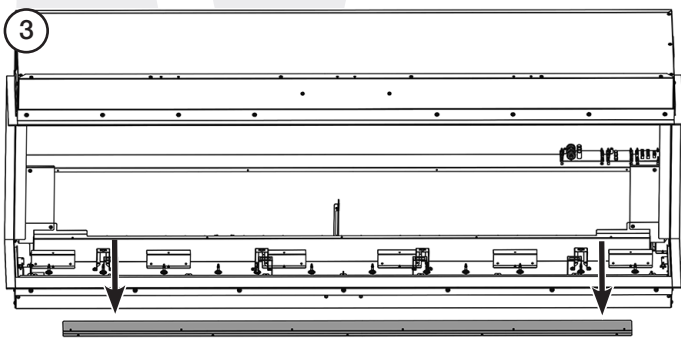
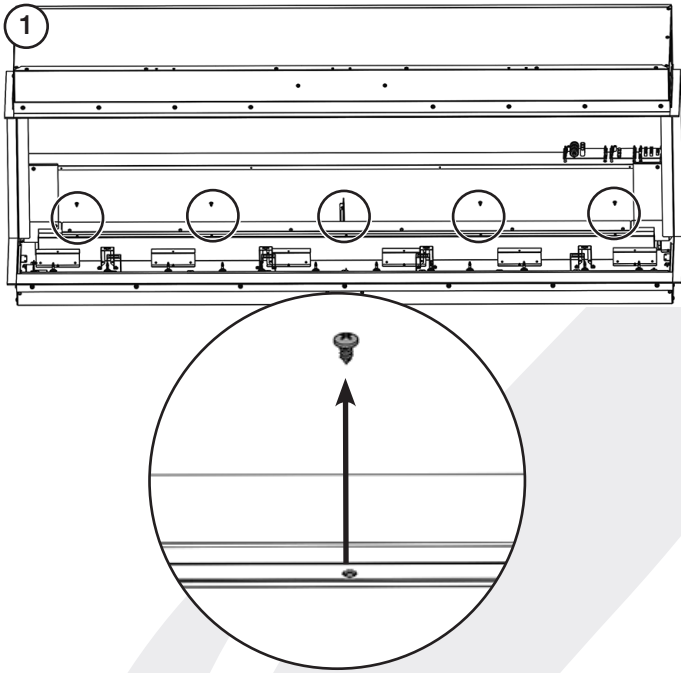
## REMOVING THE FLAME EFFECT



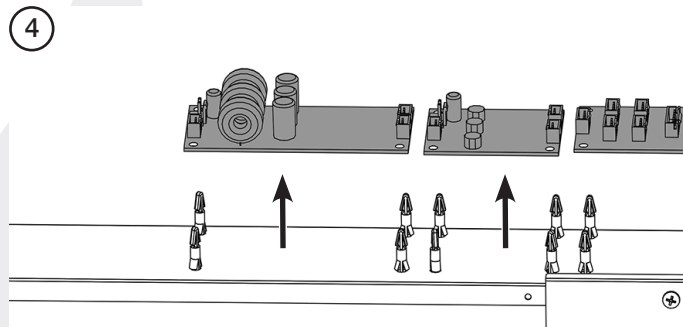
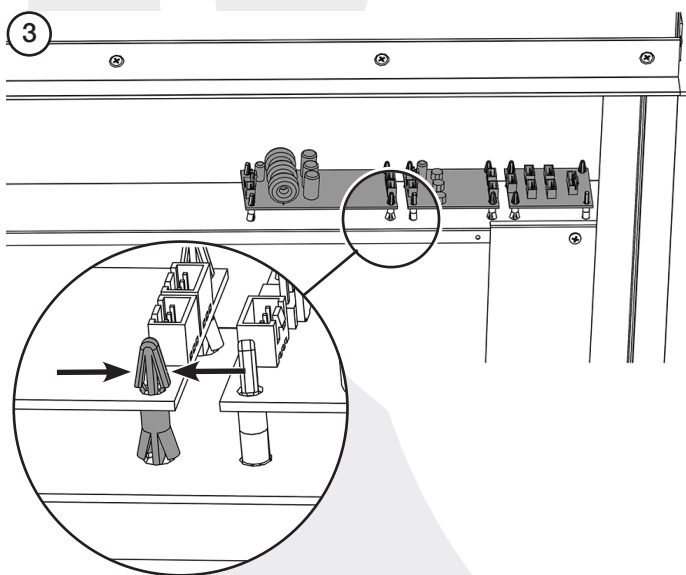
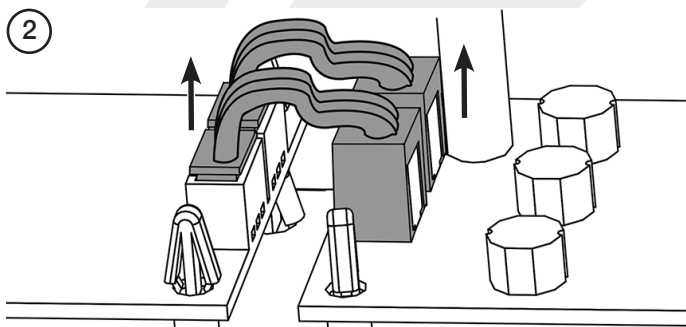
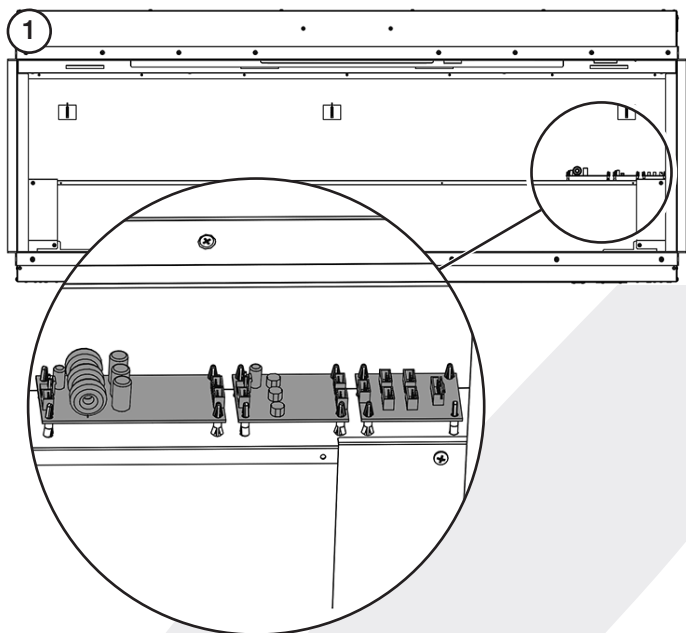
## REMOVING THE EFFECT SPINDLE



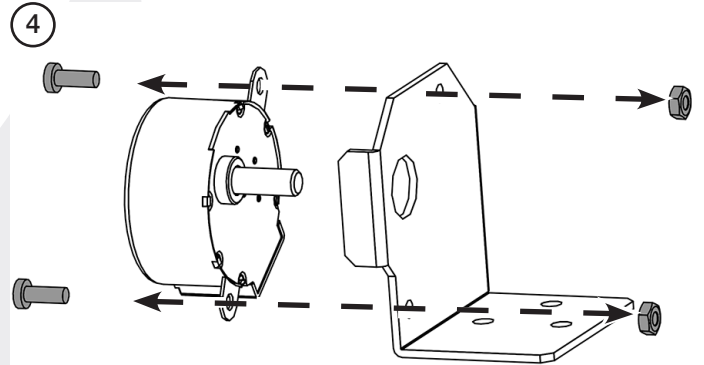
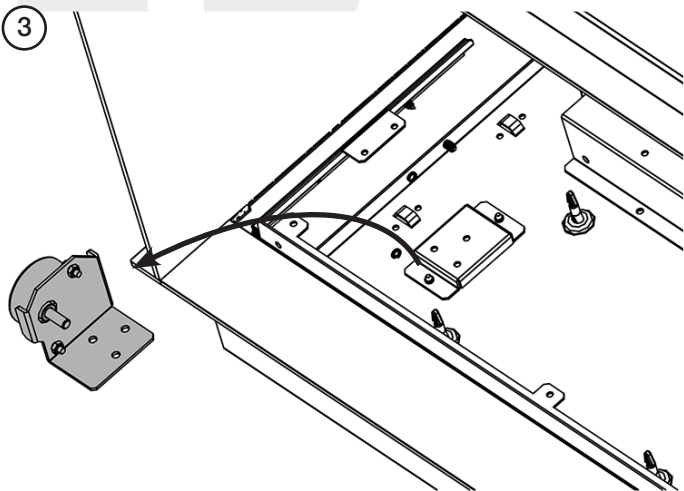
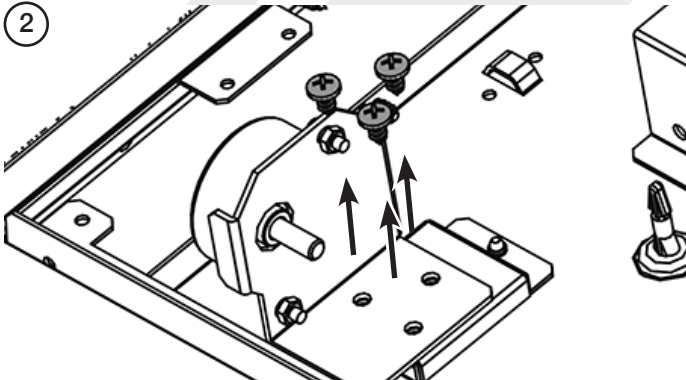
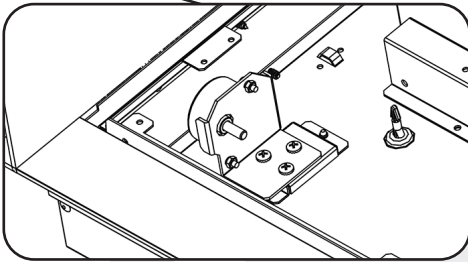
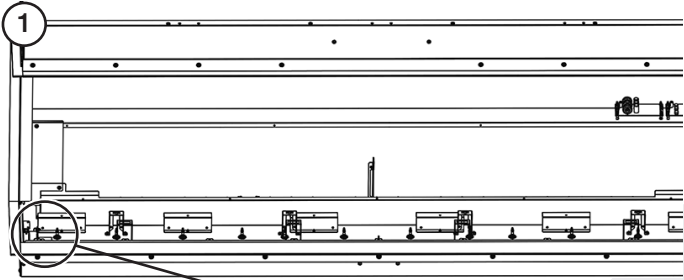
## REPLACING THE FLAME EFFECT LEDS



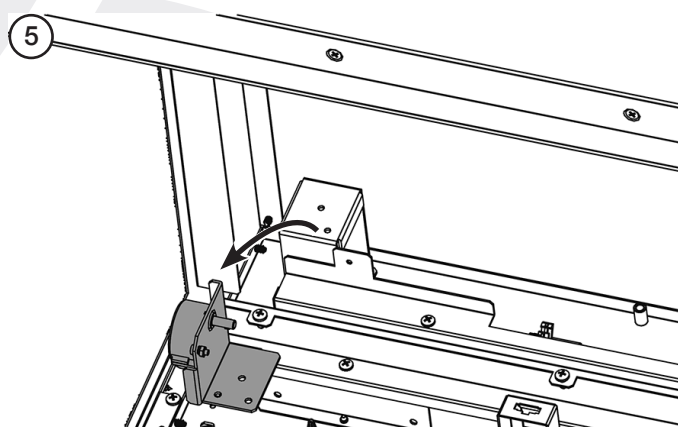
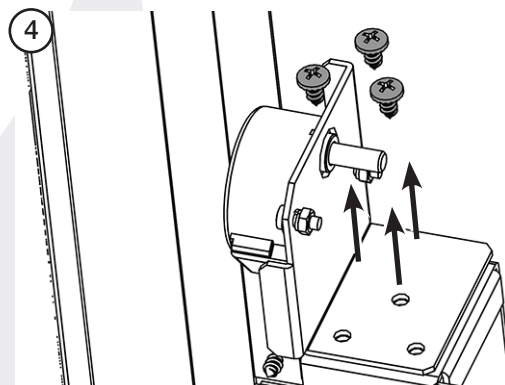
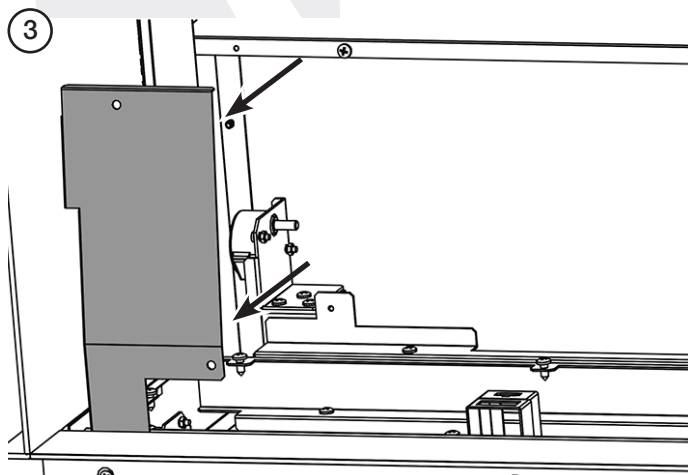
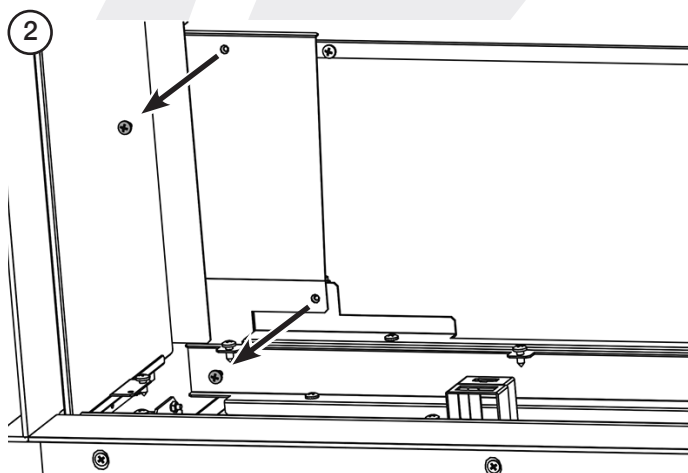
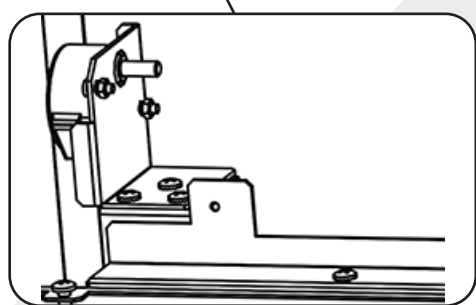
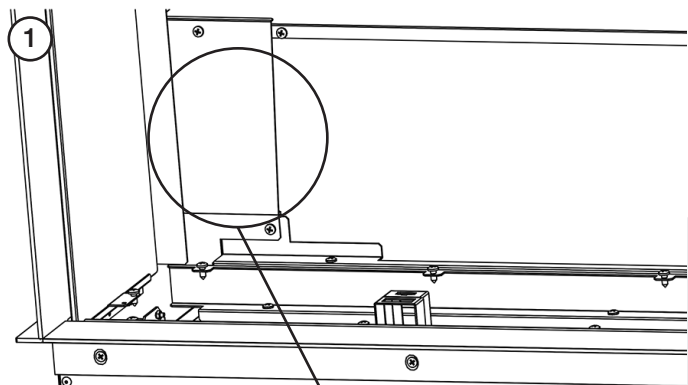
## REMOVING THE LED DRIVERS



## REMOVING THE FUEL BED MOTOR

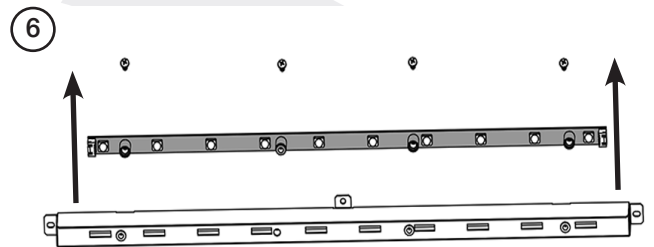
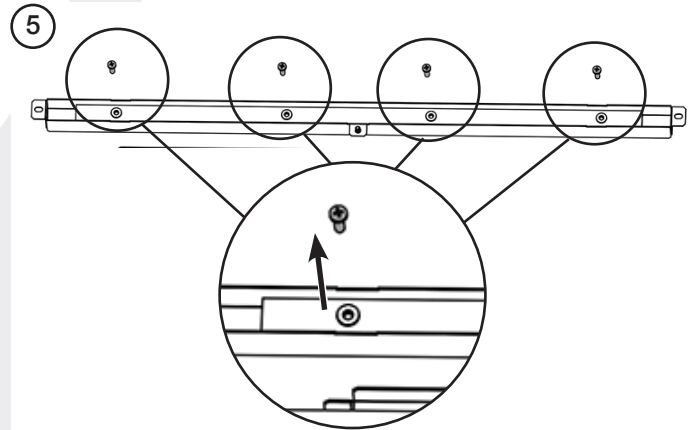
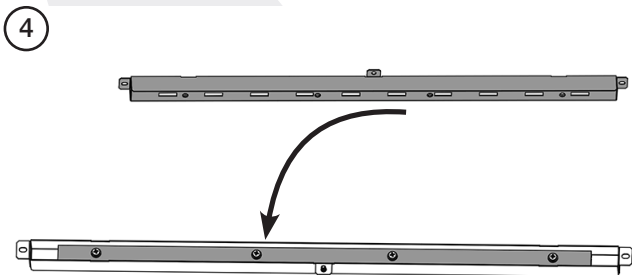
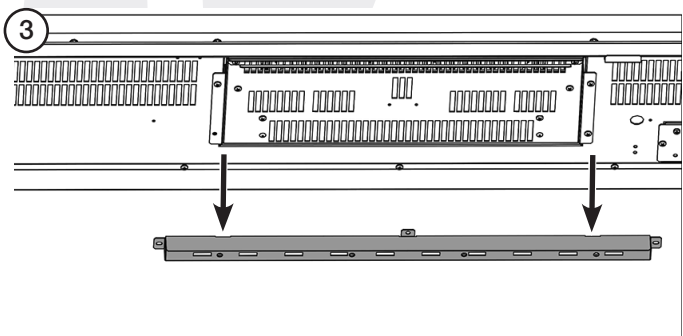
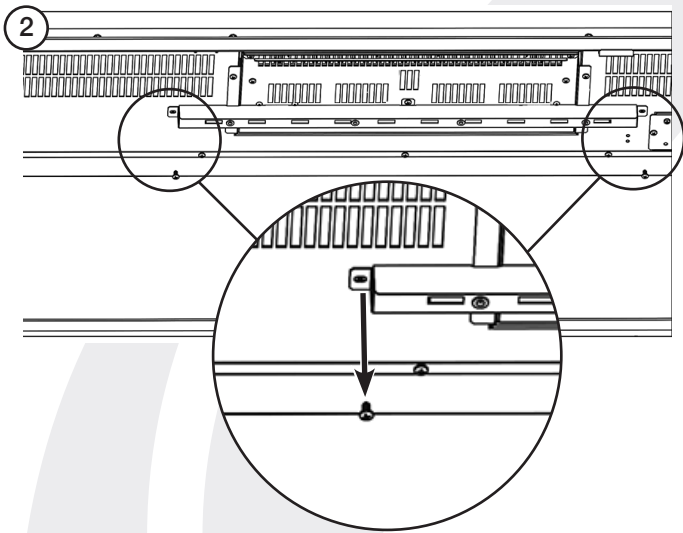
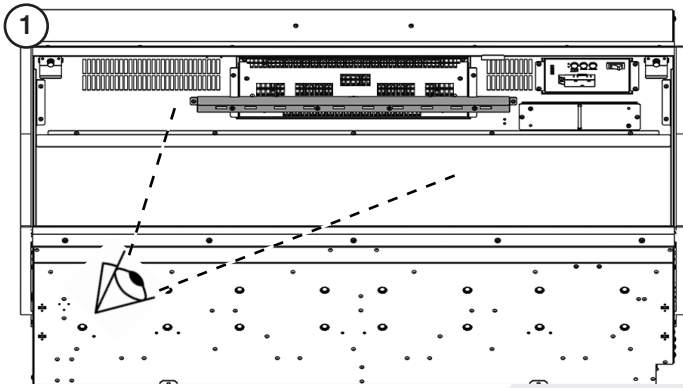


## REMOVING THE FLAME EFFECT MOTOR

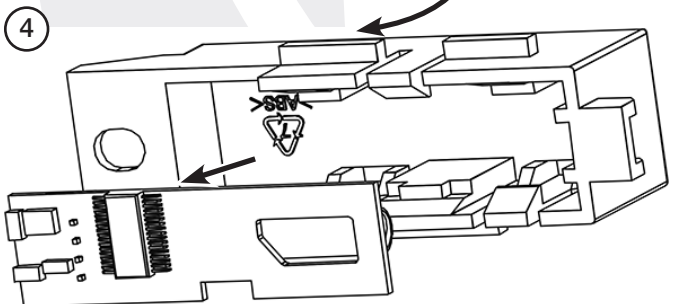
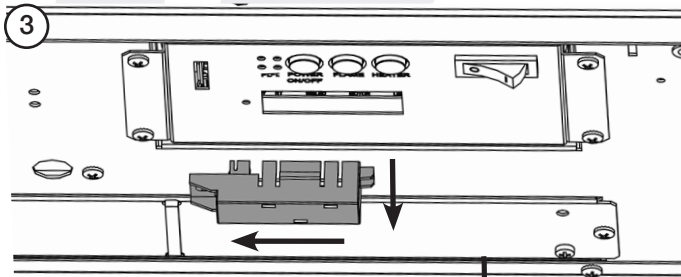
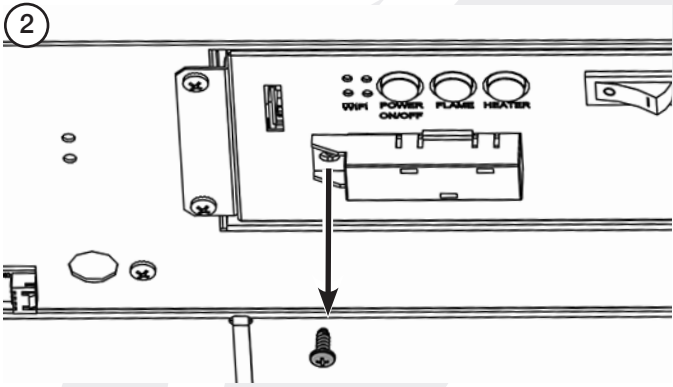
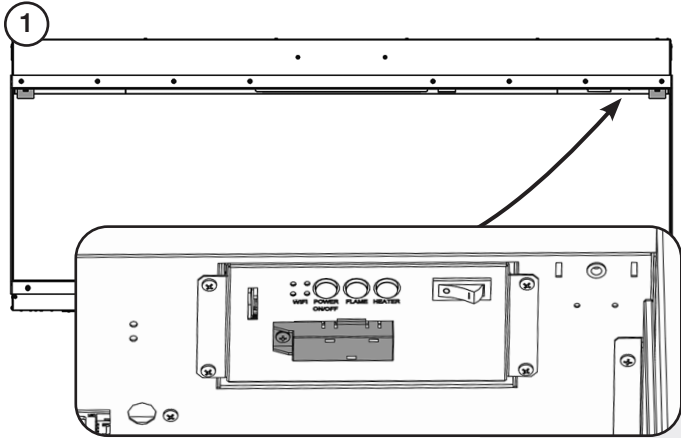




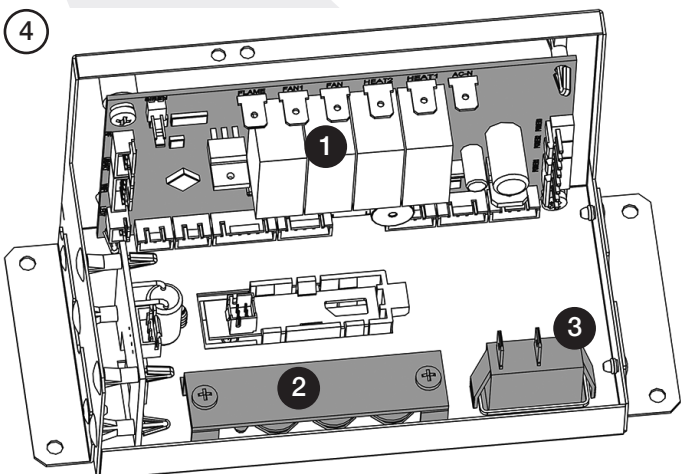
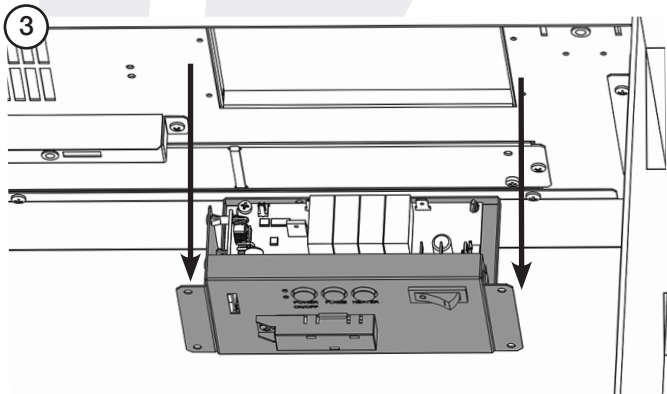
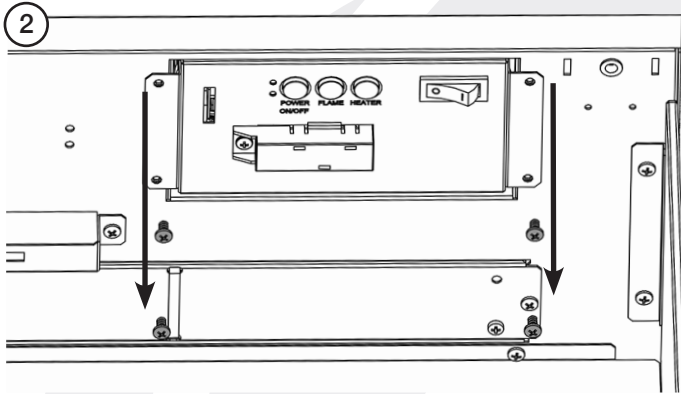
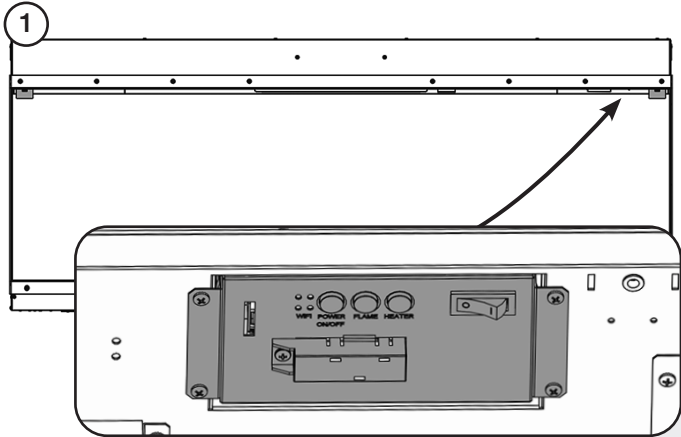
## REMOVING THE DOWNLIGHT



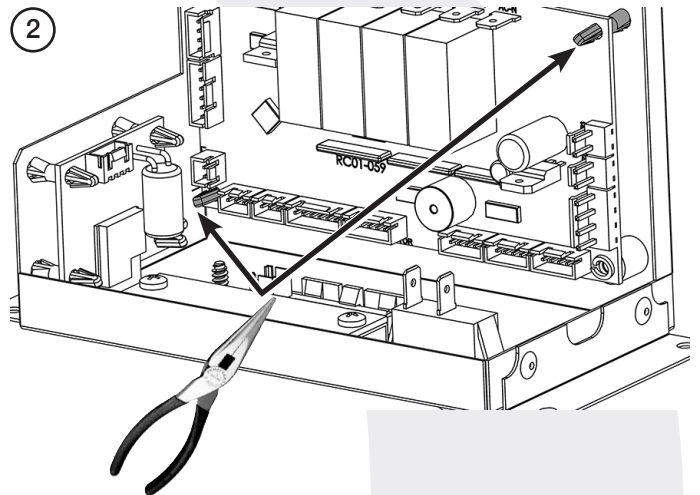
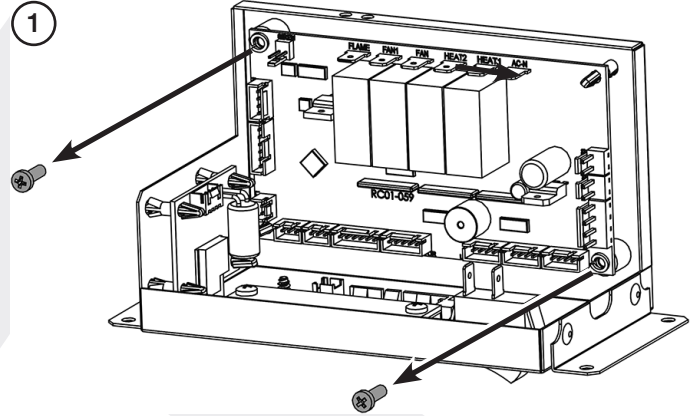
## REMOVING THE RECEIVER



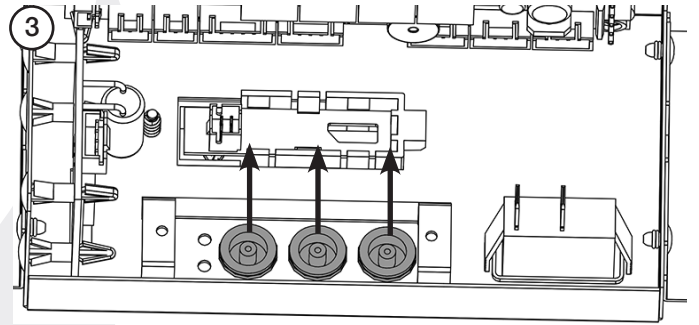
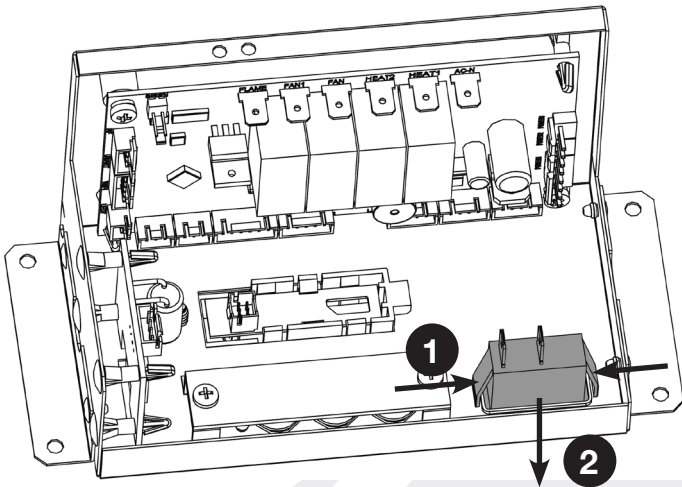
## REPLACING THE CONTROL UNIT



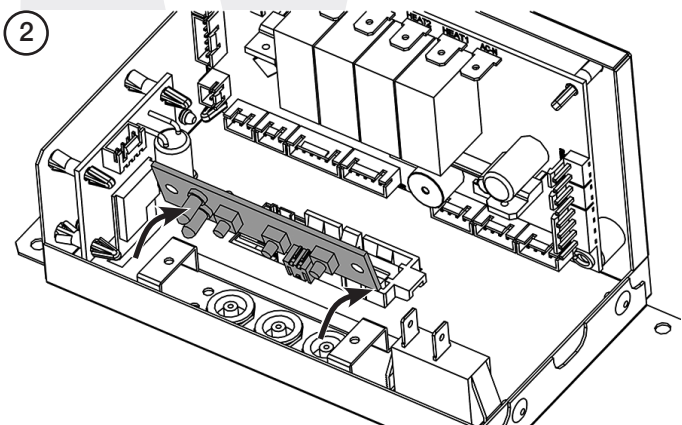
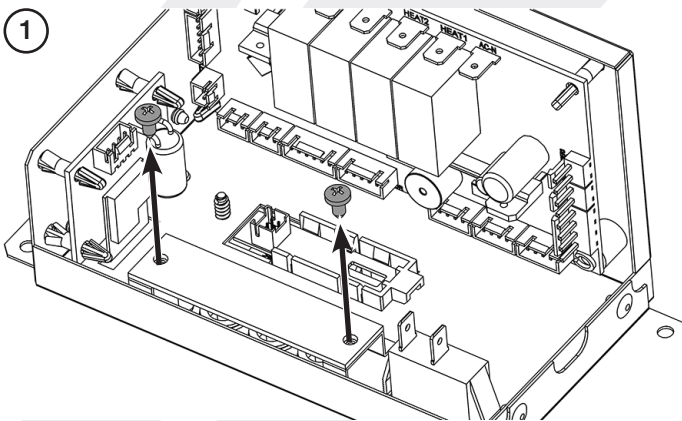
## PCB



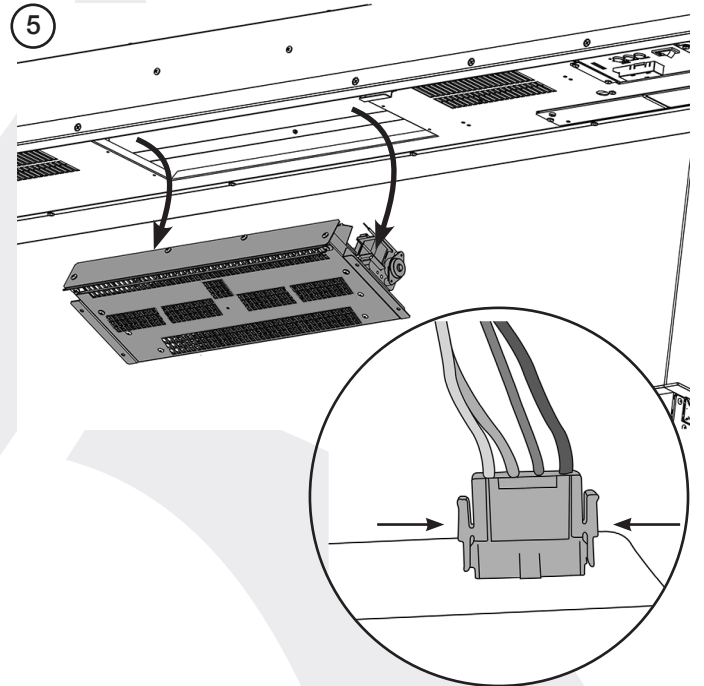
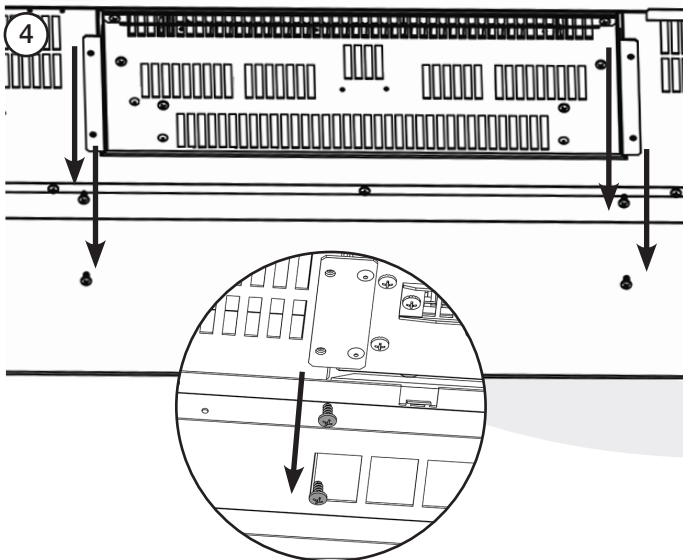
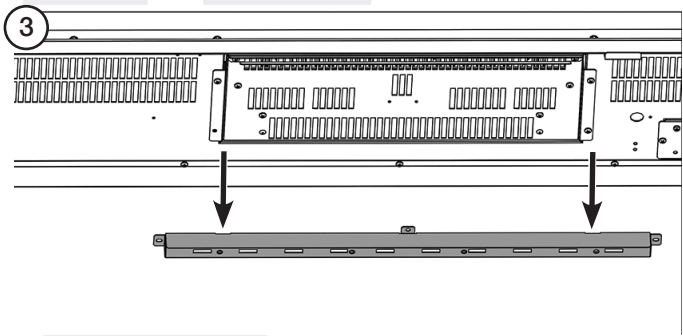
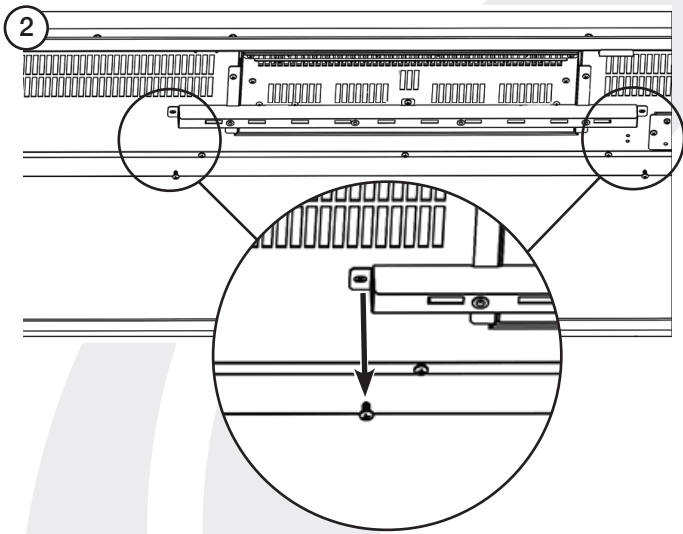
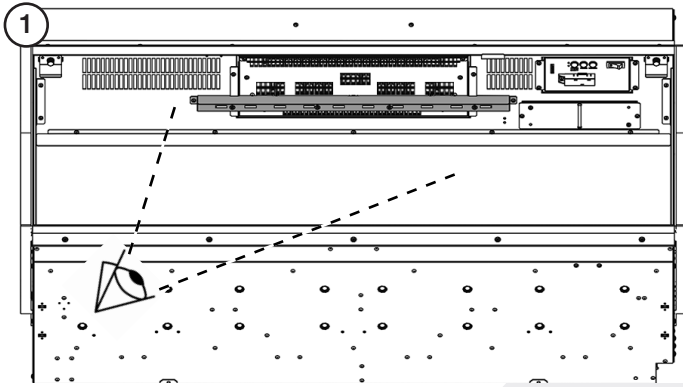
## POWER SWITCH



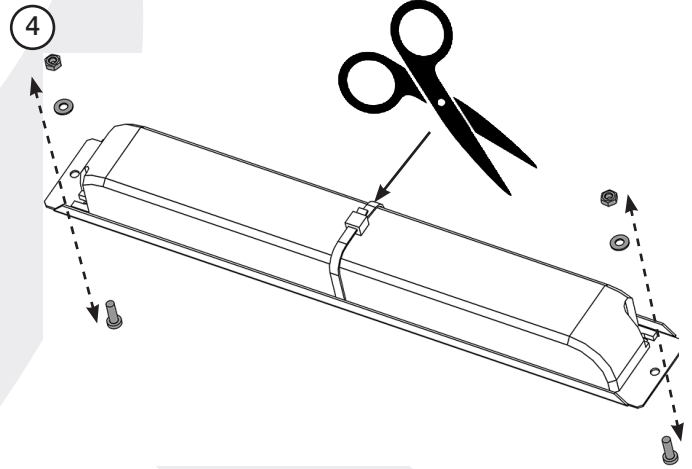
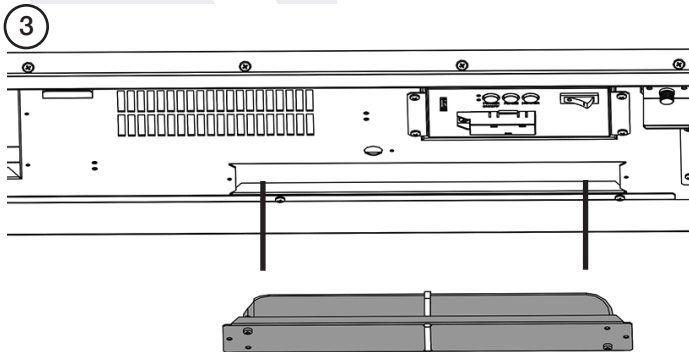
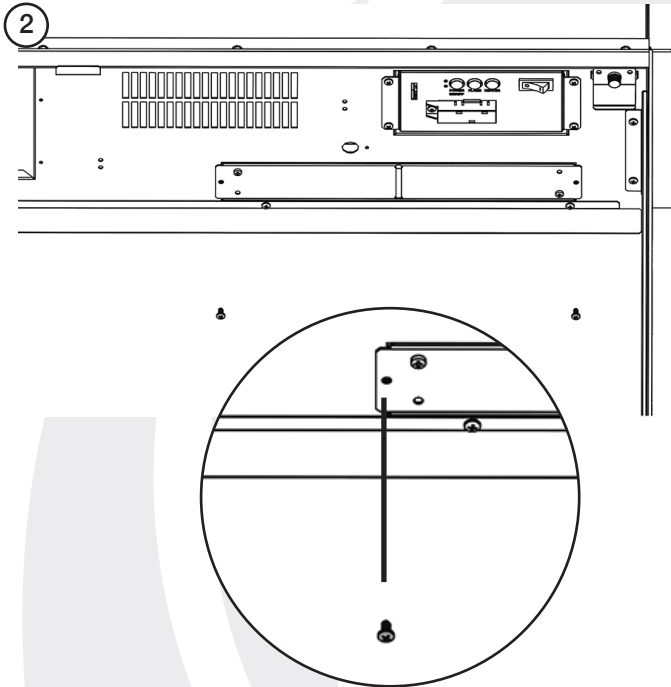
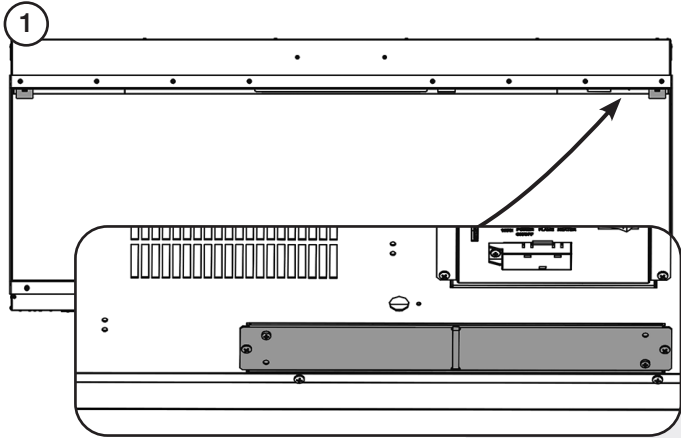
## BUTTON BOARD



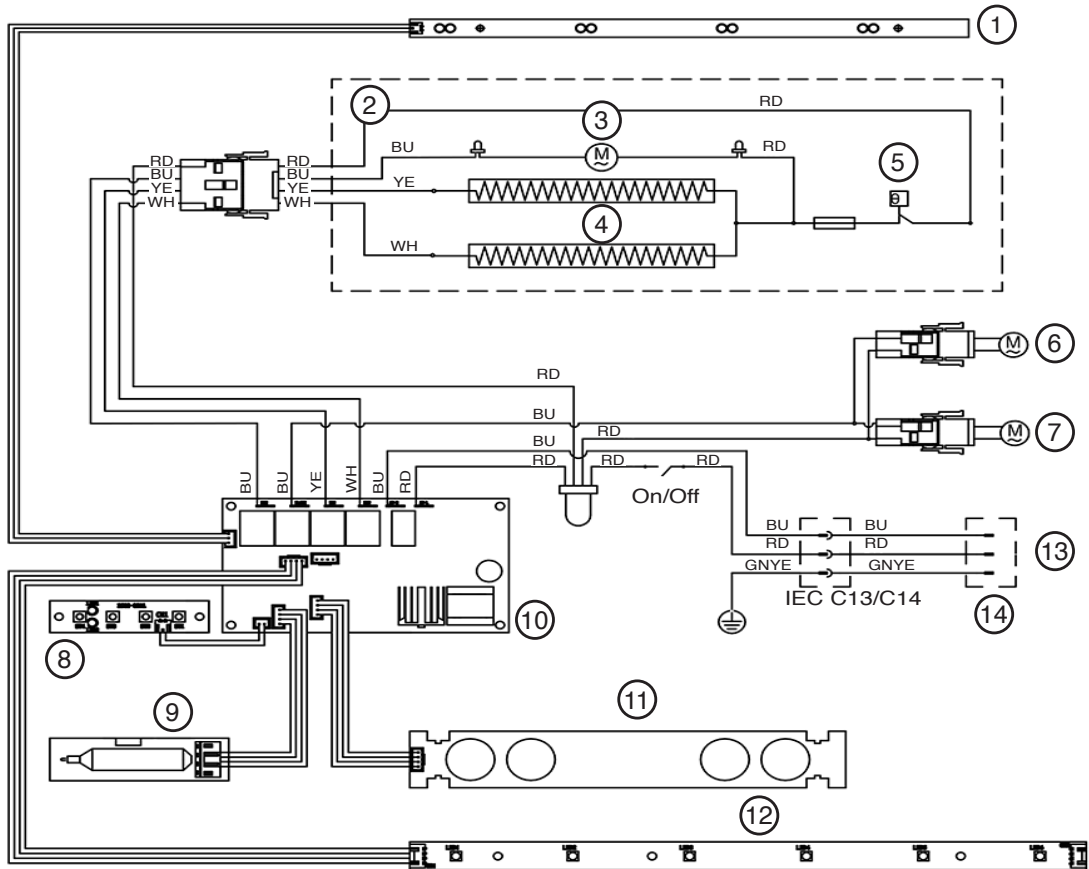
## REPLACING THE HEATER



## REPLACING THE POWER UNIT



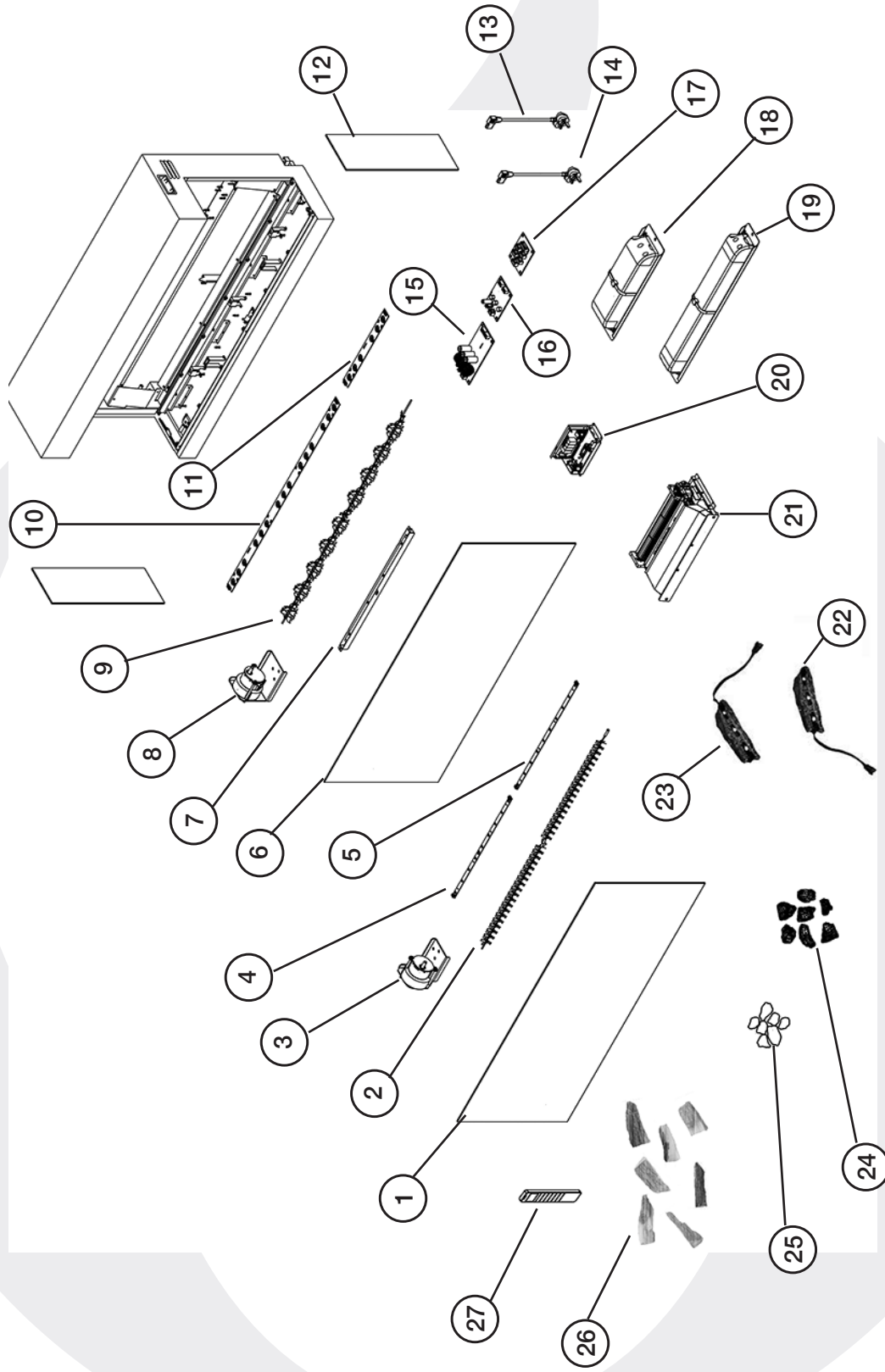
## WIRING DIAGRAM



COLOUR CODES	
RD	RED
BU	BLUE
YE	YELLOW
WH	WHITE
BK	BLACK
BN	BROWN
GNYE	GREEN & YELLOW

NO.	COMPONENT
1	Top Light LED Board
2	Heater Unit
3	Fan Motor
4	Heater
5	Thermostat
6	Flame Effect Motor
7	Fuel Effect Motor
8	Button Board
9	Receiver Board
10	PCB
11	Flame Effect LED Board
12	Fuel Effect LED Board
13	Plug Connector Incoming AC Supply: 230V 50Hz required
14	UK BS1363 Plug 13A BS1362 Fuse

## SPARE PARTS LIST





## SPARE PARTS LIST

REF.	DESCRIPTION	AVANTI 110RW		AVANTI 150RW		AVANTI 190RW	
		CODE	QTY	CODE	QTY	CODE	QTY
1	Front Glass	EL0904	1	EL0905	1	EL0906	1
2	Fuel Bed Spindle	EL0907	1	EL0908	1	EL0909	1
3	Fuel Bed Spindle Motor	EL0910	1	EL0910	1	EL0910	1
4	Led Fuel Effect Board	EL0725	4	N/A	-	N/A	-
5	Led Fuel Effect Board	N/A	-	EL0726	6	EL0726	8
6	Flame Effect Screen	EL0915	1	EL0916	1	EL0917	1
7	Led Downlight	EL0918	1	EL0919	1	EL0920	1
8	Flame Effects Spindle Motor	EL0921	1	EL0921	1	EL0921	1
9	Flame Effects Spindle	EL0924	1	EL0925	1	EL0926	1
10	Flame Effect Led Board 1	EL0927	1	EL0927	1	EL0927	2
11	Flame Effects Led Board 2	N/A	-	EL0928	1	N/A	-
12	Side Glass	EL0930	2	EL0930	2	EL0930	2
13	Plug And Lead	EL0549	1	EL0549	1	EL0549	1
14	N/A	N/A	-	N/A	-	N/A	-
15	Flame Eff Led Drive Board 1	EL0934	1	EL0934	1	EL0934	1
16	Flame Eff Led Drive Bd 2	EL0931	1	EL0931	1	N/A	-
17	Led Adapter Board	EL0932	1	EL0932	1	EL0932	1
18	Power Unit 75w	EL0935	1	N/A	-	N/A	-
19	Power Unit 100w	N/A	-	EL0936	1	EL0936	1
20	Control Box	EL0937	1	EL0937	1	EL0937	1
21	Heater Unit	EL0938	1	EL0938	1	EL0938	1
22	Log Light Unit Left	EL0939	1	EL0939	2	EL0939	2
23	Log Light Unit Right	EL0940	2	EL0940	2	EL0940	3
24	Glass Embers	EL0941	1	EL0942	1	EL0943	1
25	Pumice Stone	EL0944	1	EL0944	1	EL0945	1
26	Oak Log Set	EL0946	1	EL0947	1	EL0948	1
27	Handset	EL0949	1	EL0949	1	EL0949	1

## INFORMATION REQUIREMENT FOR ELECTRIC LOCAL SPACE HEATERS

Model			Avanti 110RW Avanti 150RW Avanti 190RW
Heat Output	Nominal Heat Output	$P_{nom}$	2.0kW
	Minimum Heat Output	$P_{min}$	1.0kW
	Maximum Continuous Heat Output	$P_{max, c}$	2.0kW

Auxiliary Electricity Consumption	At Nominal Heat Output	$el_{max}$	14.5W
	At Minimum Heat Output	$el_{min}$	14.0W
	In Standby Mode	$el_{sb}$	3.5W

### Type of heat input, for electric storage local space heaters only

Manual heat charge control, with integrated thermostat	No
Manual heat charge control with room and/or outdoor temperature feedback	No
Electronic heat charge control with room and/or outdoor temperature feedback	No
Fan assisted heat output	No

### TYPE OF HEAT OUTPUT/ROOM TEMPERATURE CONTROL

Single stage heat output and no room temperature control	No
Two or more manual stages, no room temperature control	No
With mechanic thermostat room temperature control	No
With electronic room temperature control	No
Electronic room temperature control plus day timer	No
Electronic room temperature control plus week timer	Yes

### OTHER CONTROL OPTIONS

Room temperature control, with presence detection	No
Room temperature control, with open window detection	Yes
With distance control option	Yes
With adaptive start control	Yes
With working time limitation	No
With black bulb sensor	No

Gazco Ltd, Spitfire Avenue, Skypark, Clyst Honiton, Exeter, Devon, England EX5 2FR



# WARRANTY

## LIMITED WARRANTY

This product comes with an extended Limited Warranty to the original purchaser of this appliance provided the product remains in the original place of installation.

Some conditions apply (see below).

The policy is not transferable, amendable or negotiable under any circumstances.

After the original warranty coverage has expired, any repair and/or replacement parts purchased by the consumer through an accredited distributor or dealer will carry a ninety (90) day warranty (valid only with an original copy of the tax invoice). No labor coverage is included with any repair and/or replacement part.

Replacement parts are limited to one per warranty term.

## EXCLUSIONS

This Limited Warranty does not extend to paint, rust or corrosion of any kind due to a lack of maintenance or improper venting, combustion air provision, corrosive chemicals (i.e. chlorine, salt, air, etc.), firebrick (rear, sides or bottom), door or glass gasket, or any other additional factory fitted gasket.

Malfunction, damage or performance based issues as a result of environmental conditions, location, chemical damages, downdrafts, installation error, installation by an unqualified installer, incorrect chimney components (including but not limited to cap size or type), operator error, abuse, misuse, use of improper fuels (such as unseasoned timber, mill-ends, construction timber or debris, off-cuts, treated or painted timber, tea tree, metal or foil, plastics, garbage, solvents, cardboard, coal or coal products, oil based products, waxed cartons, compressed pre-manufactured logs), accidents, lack of regular maintenance and upkeep, acts of God, weather related problems from hurricanes, tornados, earthquakes, floods, lightning strikes/bolts or acts of terrorism or war, which result in malfunction of the appliance are not covered under the terms of this Limited Warranty.

The supplier has no obligation to enhance or modify any unit once manufactured (i.e. as products evolve, field modifications or upgrades will not be performed on existing appliances).

Any unit showing signs of neglect or misuse will not be covered under the terms of this warranty policy and may void this warranty. This includes units with rusted or corroded fireboxes which have not been reported as rusted or corroded within three (3) months of installation/purchase. Any alteration to the unit which causes sooting or carboning that results in damage to the exterior fascia or over firing that can cause component or firebox/heat exchanger failure will not be covered by this warranty.

Units which show evidence of being operated while damaged, or with problems known to the purchaser and causing further damages will void this warranty.

Units where the serial no. has been altered, deleted, removed or made illegible will void this warranty.

Minor movement, expansion and contraction of the steel is normal and is not covered under the terms of this warranty.

Freight damages for products or parts are not covered under the terms of the warranty.

Porcelain/Enamel: Absolute perfection is neither guaranteed nor commercially possible. Any chips must be reported and inspected by the authorised selling dealer within three (3) days of installation. Any damage of this type not reported after this time period will be subject to rejection and any related warranty will not apply.

Special Finishes: Expect some changes in color as the product "ages" with constant heating and cooling. The manufacturer warranty does not cover tarnishing, changing colors and/or marks (i.e. finger prints, etc.) after the purchase of the product. Damage from the use of abrasive cleaners is not covered by warranty.

Products made or provided by other manufacturers and used in conjunction with the appliance may void this warranty.

**INCORRECT INSTALLATION IS NOT COVERED BY WARRANTY. A SERVICE OR CALLOUT FEE WILL BE CHARGED IN THESE CIRCUMSTANCES.**



## LIMITATIONS OF LIABILITY

### 1. Exclusion of implied terms

The customer may have the benefit of consumer guarantees under the Consumer Law. To the maximum extent permitted by law, all terms, conditions or warranties that would be implied into this Warranty or in connection with the supply of any goods or services by the supplier under law or statute or custom or international conventions are excluded.

### 2. Limitation of liability

(a) To the maximum extent permitted by law and subject to clause 1, the supplier's total liability arising out of or in connection with its performance or its obligations pursuant to this Warranty, or arising out of or in connection with the supply of specific goods or services (including pursuant to or for breach of this Warranty, under statute, in equity or for tort, including negligent acts or omissions) is limited as follows: (i) the supplier shall have no liability to the customer for any Consequential Loss; (ii) without limiting the effect of clause 2(a)(i), the supplier's total aggregate liability for Loss, however arising, shall not exceed the GST exclusive aggregate price paid by the customer to the supplier for the specific goods or services that gave rise to the Loss in question.

(b) The limitations and exclusions in this sub-clause do not apply to the extent that any Loss is directly attributable to: (i) the personal injury or death caused by the supplier's default, breach of this Warranty or negligence; or (ii) fraud by the supplier.

(c) Each party must take reasonable steps to mitigate any Loss it suffers or incurs.

### 3. Subject to Change

This Limited Warranty is given at the time of sale and purchase of the relevant fireplace product. The terms of this Limited Warranty may be amended from time to time in accordance with changes to business practices, consumer laws or other legal requirements. The rights and protections granted under the Limited Warranty are those in force in relation to a fireplace product at the time and in the place of sale of that product, and only those terms will be applicable in respect of that product.

### 4. Severability

Any term of this Limited Warranty that is invalid or unenforceable in any jurisdiction is to be read down for the purposes of that jurisdiction, if possible, so as to be valid and enforceable, and is otherwise capable of being severed to the extent of the invalidity or unenforceability, without affecting the remaining provisions of this Limited Warranty or affecting the validity or enforceability of that provision in any other jurisdiction.

### 5. Definitions

For purposes of clauses 1 and 2:

(a) Consequential Loss means loss of expected savings, loss of use, loss of opportunity, loss of profit, loss of revenue, increased financing costs, loss arising from delay, or any consequential, special or indirect loss or damage, whether or not the possibility or potential extent of the loss or damage was known or foreseeable, and whether arising from a claim under indemnity, contract, tort (including negligence), statute or otherwise.

(b) Loss means any expense, cost or damage of any kind and includes Consequential Loss and a fine or penalty imposed by a statutory or other authority.









**Distributed by:**

Australia

Fireplace Products Australia Pty Ltd  
99 Colemans Road  
Dandenong South VIC, 3175  
AUSTRALIA  
+613 9799 7277  
[www.regency-fire.com.au](http://www.regency-fire.com.au)

New Zealand



Head Office & Showroom  
12 Tawari Street  
Mt Eden, Auckland, New Zealand  
+649 623 6990  
[thefireplace.co.nz](http://thefireplace.co.nz)

Manufactured by

**Gazco Limited, Spitfire Avenue, Skypark, Clyst Honiton, Exeter, Devon, England EX5 2FR**  
**Technical Customer Services (01392) 261950 Fax: (01392) 261951**  
**E-mail: [technicalservices@gazco.com](mailto:technicalservices@gazco.com)**

A member of the Stovax Group

E & O E

